

CAVALIER RENTALS 2004

RENTAL MOTORHOMES



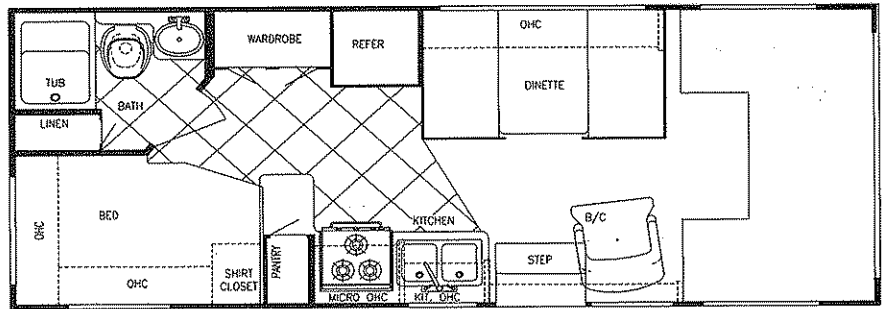
FLOORPLANS & SPECIFICATIONS



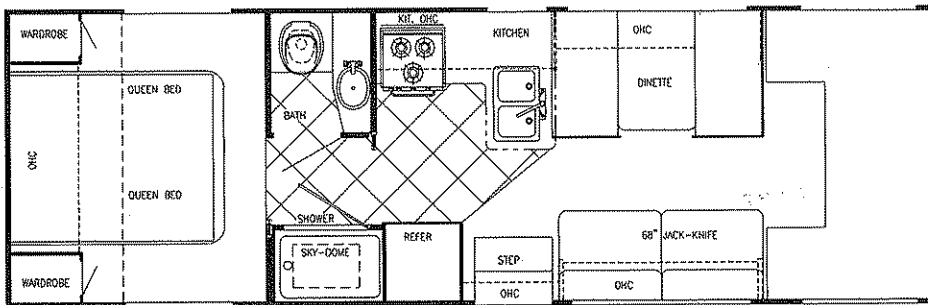
CLASS C RENTALS 2004

Model 6245C

Chassis	Ford V-10
GVWR	11,500
Fuel Tank (Gal.)	55 gal.
Wheelbase	176"
Ext. Length	24'-5"
Ext. Height w/ AC	11'-1"
Ext. Width	101"
Int. Height	80"
Int. Width	97"
Fresh	32 gal.
Gray	30 gal.
Black	30 gal.
Water Heater w/DSI	6 gal.
LP gas tank	48 lbs.
Furnace (btu's)	25,000



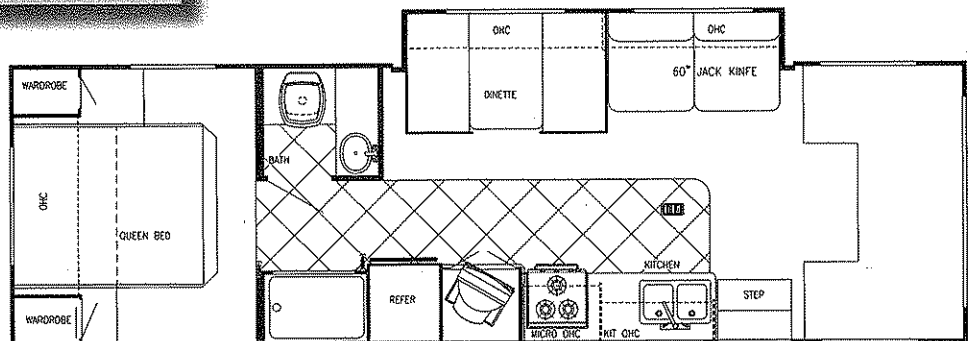
Model 6280C



Chassis	Ford V-10
GVWR	14,050
Fuel Tank (Gal.)	55 gal.
Wheelbase	196"
Ext. Length	29'-3"
Ext. Height w/ AC	11'-1"
Ext. Width	101"
Int. Height	80"
Int. Width	97"
Fresh	40 gal.
Gray	36 gal.
Black	36 gal.
Water Heater w/DSI	6 gal.
LP gas tank	48 lbs.
Furnace (btu's)	25,000

Model 6317C

Chassis	Ford V-10
GVWR	14,050
Fuel Tank (Gal.)	55 gal.
Wheelbase	208"
Ext. Length	31'-5"
Ext. Height w/ AC	11'-1"
Ext. Width	101"
Int. Height	80"
Int. Width	97"
Fresh	40 gal.
Gray	36 gal.
Black	36 gal.
Water Heater w/DSI	6 gal.
LP gas tank	48 lbs.
Furnace (btu's)	25,000

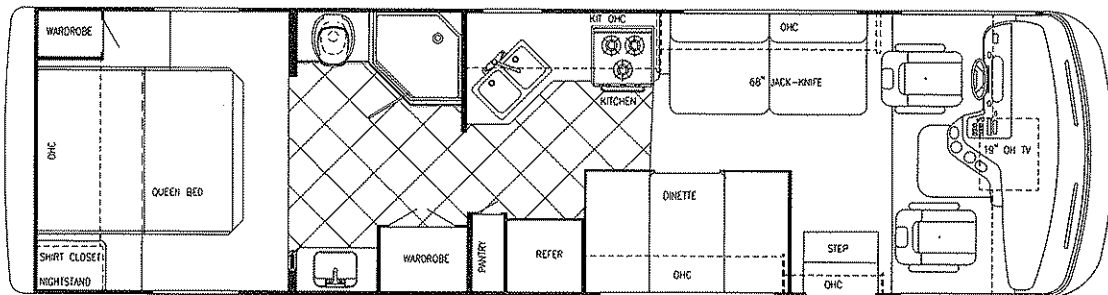




CLASS A RENTALS 2004

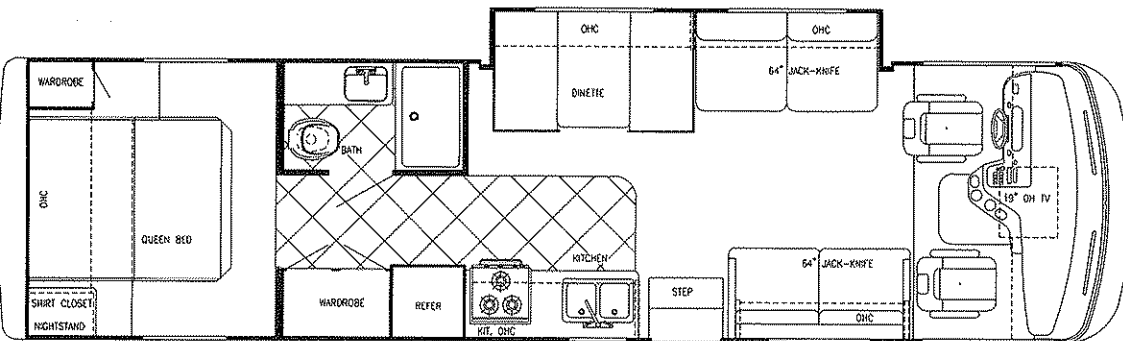
Model 8301C

Chassis	Ford
Engine	V-10
GVWR	15,700
Wheelbase	190"
Ext. Length	32'-0"
Ext. Height w/ AC	11'-11"
Ext. Width	100"
Int. Height	6'-11"
Int. Width	97"
Fresh	40 gal.
Gray	36 gal.
Black	36 gal.
Water Heater w/DSI	6 gal.
LP gas tank	48 lbs.
Fuel Tank (Gal.)	75 gal.
Furnace (btu's)	30,000



Model 8328C

Chassis	Ford
Engine	V-10
GVWR	18,000
Wheelbase	208"
Ext. Length	33'-4"
Ext. Height w/ AC	11'-11"
Ext. Width	100"
Int. Height	6'-11"
Int. Width	97"
Fresh	40 gal.
Gray	36 gal.
Black	36 gal.
Water Heater w/DSI	6 gal.
LP gas tank	48 lbs.
Fuel Tank (Gal.)	75 gal.
Furnace (btu's)	30,000





CLASS A SPECIFICATIONS 2004*

Interior & Decor

- Linoleum in Kitchen, Bath & Hall; Carpet in Other Areas
- Polished Brass Door Pulls
- Polished Brass Hinges
- Raised Panel M&T Cabinet Doors (Galley)
- High Ridge Oak Panel w/ Flat Panel M&T Doors
- Border in Kitchen
- Vinyl Carpet Runner
- Queen Bed w/ Deluxe Inner-spring Mattress (8301,8328)
- Dinette Booth Bed
- Captain's Chairs
- Pleated Privacy Door
- Inside Hand Rail
- Single Barrel Chair
- Jack-Knife Sofa
- Laminated Counter Tops Throughout
- Pleated Shades Throughout

Bath & Water

- Demand Water System
- City Water Hook-Up
- Tub/Shower Combo
- Lavatory w/ Base Cabinet Storage
- Water Bypass Valve

Appliances

- 3-Burner Range Top w/ Oven
- Microwave
- 6 Gal Electric Ignition Water Heater w/ By-Pass Valve
- LP Gas Bottle
- Carbon Monoxide Detector
- Power Vent Range Hood w/ Monitor Panel
- Dash A/C
- 13,500 BTU Roof A/C
- 30,000 BTU Furnace

Electrical System

- 4.0 Generac Generator
- (1) Auxiliary Battery
- Convertor w/ Charger
- Cable TV Hook Up
- DSS Prep (8301, 8328)
- Porch Light
- Emergency Start Switch in Dash
- Cruise control
- CD Player w/ AM/FM Tuning
- TV Antenna w/ Amp, Booster & (2) Jacks
- 19" Color TV w/ Remote
- LP Gas Leak Detector

Exterior Construction

- Welded Aluminum Perimeter Frame
- Fully Laminated Rubber Roof
- Laminated Steel Frame Floor w/ Metal Underbelly
- Smooth Fiberglass Exterior Walls
- Slide Out Room (8328)
- Radius Tinted Windows
- Semi-Baseament Storage
- Spring Clips for Storage Doors
- Wheel Covers
- Under Coat Paint
- Exterior Side View Mirrors
- Single Electric Step
- Awning

Chassis

- Ford Super Duty w/ Triton V-10 Engine and 4- Speed Automatic Transmission
- Electronic Ignition
- Power Steering & Brakes
- High Capacity Automotive Heater & A/C w/ R135 Environmental Refrigerant
- Tilt Steering Wheel
- Cruise Control

Popular Options

- 15,000 BTU Roof A/C
- IPO 13,500 A/C
- Arctic package
- Rear Ladder
- Slide Out Topper
- Bi-Fold Shower
- Jensen Fold Down Tray
- Back Up Monitor
- Phone Jack
- 4.0 Onan Generator-Enclosed
- Range Cover
- Convection Microwave

Miscellaneous

- Carpeted Engine Cover
- Lug Wrench & Jack
- Windshield Privacy Curtain
- Dead Bolt Lock Entry Door
- Rear Fiberglass Cap w/ Bumpers
- Leveling Jacks (8328)
- Hitch

CLASS C SPECIFICATIONS 2004*

Interior & Decor

- Deluxe Carpet W/ Padding Throughout
- Hardwood Cabinet Doors
- 2-way Driver & Passenger Seats
- Valences, Lambrequins & Shades on Windows
- Power Vent in Commode
- Queen Size bed (6280, 6317)
- 6'8" interior height
- Generous Overhead Storage
- Privacy Curtain in Cab

Bath & Water

- Tub/Shower Combo
- Demand Water System
- City Water Hookup
- Water Bypass Valve
- Lavatory w/ Base Cabinet Storage

Appliances

- 3 Burner Range Top
- Power Range Hood
- 2-Way Refrigerator
- Microwave

- LP Leak Detector
- Carbon Monoxide Detector
- 13,500 BTU Roof Air Conditioner

Electrical Systems

- Easy-Store 30' Power Cord
- Electric Converter with Charger (45 amps)
- Overhead Reading Lights
- TV Antenna w/ Amp & Boost
- Auxiliary Battery
- Generator Prep.
- Outside Receptacle
- Ground Fault Circuit Interrupter
- 110-Volt Receptacles
- Roadstar Non- Directional Antenna
- Automatic Changeover Switch

Exterior Construction

- Smooth Fiberglass exterior
- Welded Aluminum Cage Construction

- Seamless Rubber Roof
- 4-ply lam. Walls, Roof & Floor
- Tubular Steel Floor
- Laminated Floor with Metal Underbelly
- Foam Seal & Undercoating
- Expansive Radius Windows
- Wheel Covers
- Outside Grab Handle
- Distinctive Exterior Graphics
- Dead Bolt on Entry Door
- Porch Light
- Chrome Bumper Cover
- Hose Storage Bumper
- Self Storing Entry Step

Chassis

- 6.8 L V-10 Ford
- Tilt Steering
- CD Player - AM/FM Stereo with 4 speakers
- Power Brakes & Steering
- Radial Tires
- Cruise Control

Popular Options

- V-8 6.0L Chevy Chassis (6245,6280)
- Battery Disconnect
- 15,000 BTU Roof AC
- Aluminum Running Boards
- Spare Tire and Carrier
- Front Cab-Over Window
- Rear Window
- Deluxe Awning
- Electric Step
- Rear Ladder
- Slide-Out Topper (6317,6295)
- Hitch
- SS Wheeliners
- Arctic Package
- Linoleum Throughout
- Cavalier Rental Package
 - Oak Dash
 - Reverse Obstacle Sensor
 - Ducted Roof Air
 - Inverter to 12-volt Service

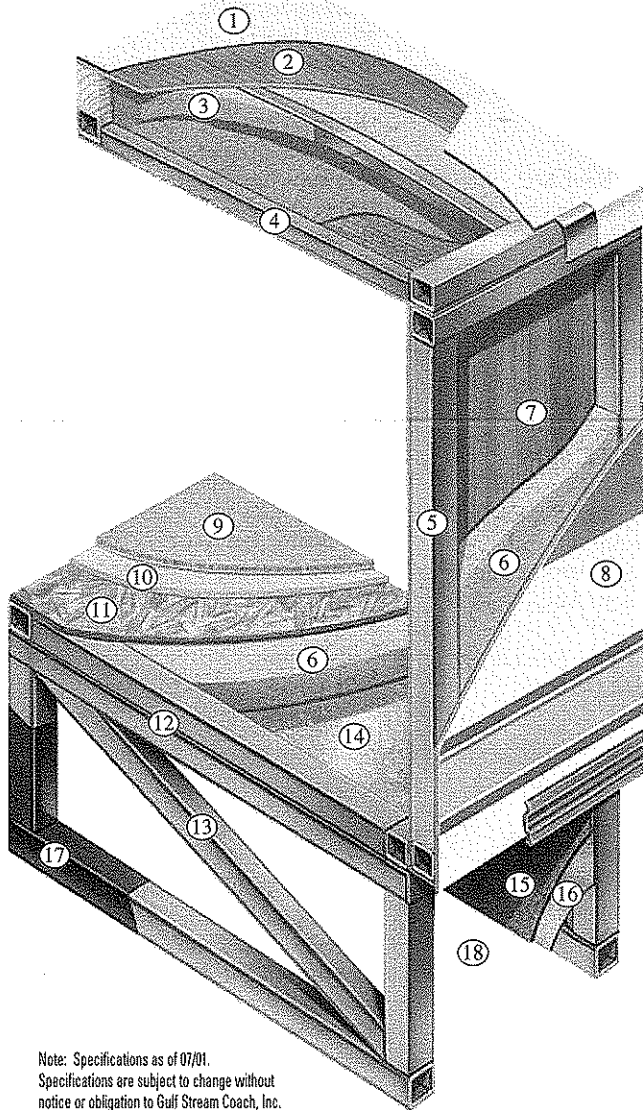
CRADLE OF STRENGTH

Take the Time to Compare...

and you will find the exceptional value of a Gulf Stream Coach

MOTORHOMES BUILT TO LAST

1. Seamless Rubber Roof For Greater Structural Integrity.
2. Luan Decking for Additional Strength.
3. Molded, High Density EPS (Expanded Polystyrene) Roof Brick Insulation - Provides Consistent Insulation Value As Well As Superior Dimensional Rigidity.
4. Rugged Welded Tubular Aluminum Roof Framing.
5. Rugged Heavy-Gauge Tubular Aluminum, Fixture Welded to Form the Sidewall Framing.
6. High-Density EPS Insulation Provides Superior Laminating and Bonding Characteristics and Insures Greater Energy Efficiency.
7. Interior Wall Panels Securely Laminated to Sidewall Framing.
8. "Smooth" Fiberglass Exterior Vacuum-bond. Laminated to Sidewall Framing for Lasting Beauty and Durability. (Super Smooth glass is used on capped units)
9. High-Quality Stain-Resistant Carpeting Available in Designer Coordinated Colors.
10. Extra-Thick Padding Under Carpet Provides Extra Comfort and Increases Carpet Durability.



Note: Specifications as of 07/01.
Specifications are subject to change without notice or obligation to Gulf Stream Coach, Inc.

11. Seamless Structurewood Floor Decking Laminated to Steel Floor Structure Assures a Quiet, Long-Lasting, Rigid Floor and comes with a 25-Year Limited Warranty.
12. Heavy-Gauge Tubular Steel Framing, Fixture Welded for Extra Strength and Stability.
13. Heavy-Gauge Tubular Steel Framed, Fixture Welded Floor Truss System Provides the Strongest Foundation in the Industry.
14. Seamless Layer of Galvanized Steel Securely Laminated to the Steel Floor Framing.
15. Galvanized Steel Used to Form Each Storage & Holding Compartment.
16. Durable All-Weather Carpeting Completes Each Accessible Storage Compartment, Providing Extra Protection for Luggage and Valuables.
17. Rust-Prohibitive Paint Coating Applied to All Steel Framing Assures Corrosion and Rust Protection.
18. The Industry's Strongest, Most Spacious Exterior Storage Compartments.

POST OFFICE BOX 1005 NAPPANEE, IN 46550

Your Dealer



VISIT
www.gulfstreamrv.com

FOR MORE DETAILED INFORMATION...
OR CALL 1-800-765-8787 EXT. 3288

* All weights and measures are approximate and subject to change without notice. For more information, contact your local dealer, www.gulfstreamrv.com or Gulf Stream Coach, Inc.. Gulf Stream Coach, Inc. reserves the right to make changes in prices, colors, materials, components and specifications and to discontinue models at any time without notice or obligation. Gulf Stream Coach, Inc. assumes no responsibility for any error in type or print reproduction of specifications or floorplans in this brochure. Photographs may show equipment or items that are optional and are not included in the purchase price of each coach, fifth wheel or trailer. © Copyright 2002 Gulf Stream Coach, Inc. Nappanee, Indiana USA