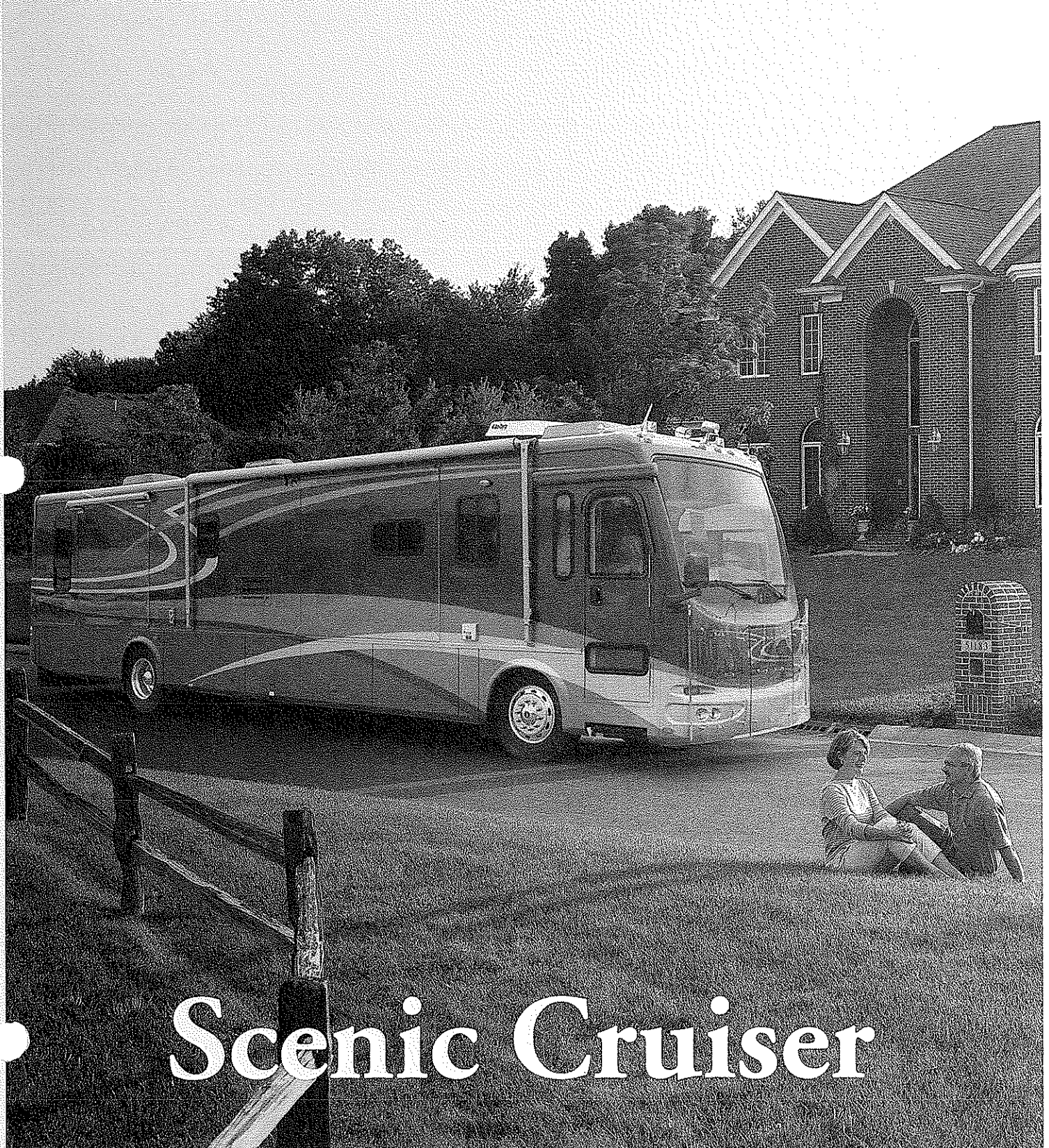


SCENIC CRUISER 2003

DIESEL MODELS

LUXURY MOTORHOMES

FLOORPLANS & SPECIFICATIONS



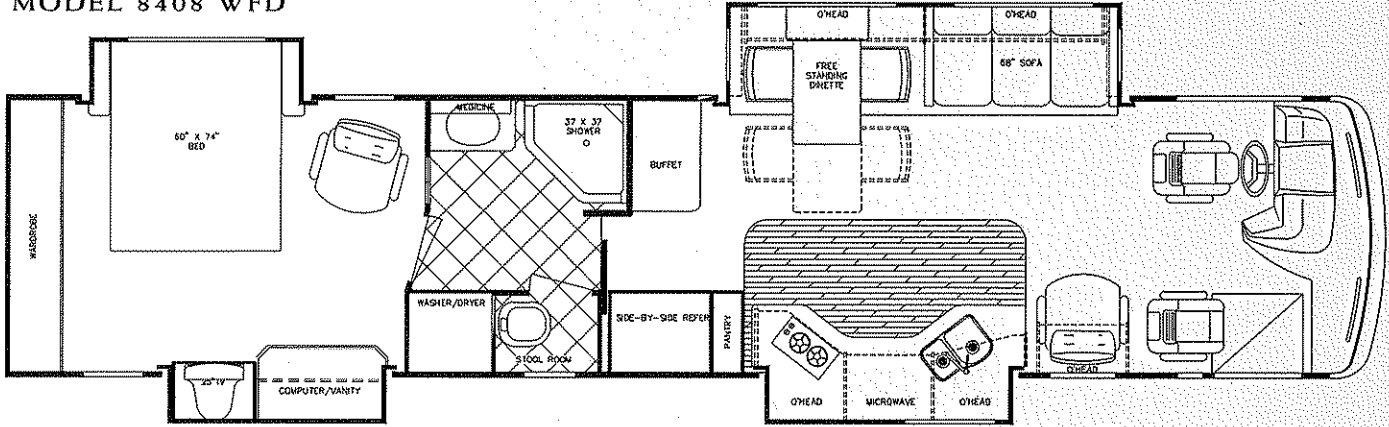
Scenic Cruiser

SCENIC CRUISER



QUATTRO

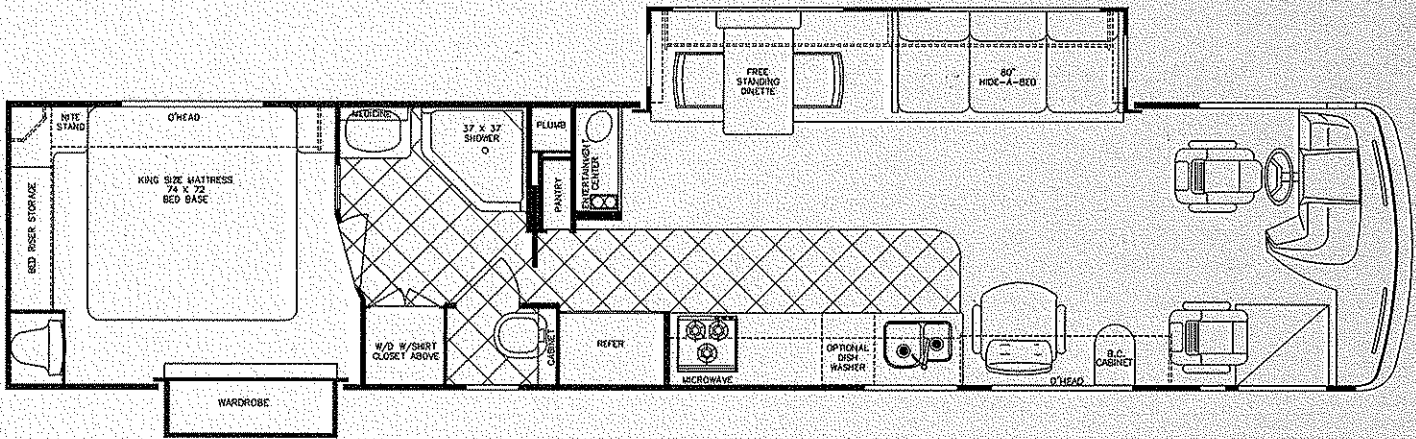
MODEL 8408 WFD



Engine	400
GVWR	31,000
Wheelbase	276"
Ext. Length	40'-9"
Ext. Height w/AC	12'
Ext. Width	100"
Int. Height	80"
Int. Width	96"

Fresh	100 gal.
Grey	75 gal.
Black	75 gal.
Water Heater w/DSI	10 gal.
LP Gas Tanks	150 lbs.
Fuel Tank (Gal.)	150
Furnace (BTU's)	25,000/40,000

MODEL 8402 WFD



Engine	400
GVWR	31,000
Wheelbase	276"
Ext. Length	40'-9"
Ext. Height w/AC	12'
Ext. Width	100"
Int. Height	80"
Int. Width	96"

Fresh	100 gal.
Grey	75 gal.
Black	75 gal.
Water Heater w/DSI	10 gal.
LP Gas Tanks	150 lbs.
Fuel Tank (Gal.)	150
Furnace (BTU's)	25,000/40,000

SCENIC CRUISER



LUXURY DIESEL MODEL FEATURES, STANDARDS & OPTIONS

Interior & Decor

- Mirage Ivory Laminated Formica Cabinetry w/"Thermafoil" Doors
- Fabric-Covered Shelving in Cabinets
- Deep Overhead Cabinets in Slide-Outs
- Deluxe Corian™ Countertops Throughout
- Deluxe Flexsteel™ Furniture
- 6-Way Power Leather Pilot Seat w/ Matching Co-Pilot Seat (Co-Pilot Seat Power Optional)
- Deluxe Stain-Resistant Carpet w/Pad
- Hand Laid Ceramic Tile Floor in Kit. & Bath
- Day/Night Shades Throughout
- Deluxe Privacy Drapes for Cockpit
- Coordinated Bedspreads & Shams
- Expandable Dinette w/Corian™ Top & (2) Fabric Chairs
- Color Coordinated Deluxe Window Boxes
- Queen Size Bed w/Deluxe Innerspring Mattress (8408)
- King Size Bed w/Deluxe Innerspring Mattress (8402)

Appliances

- 3-Burner High-Output Recessed Range w/Covers
- 2-Door, 2-Way Refrigerator w/Ice maker
- Microwave/Convection Oven & Built-In Rangehood w/Re-circulation Kit
- 24" Sony Flat Screen Color TV In Front Overhead
- 25" Sony Color TV in Bedroom (8408)
- VCR in Front Overhead
- TV Antenna w/Amp, Boost and 2 Jacks
- LP Gas Leak Detector
- Carbon Monoxide Detector
- Sony Home Theater Surround Sound System

Bath & Water

- Super-Flow Manifold Water Distribution System
- Deep Solid Surface Kitchen Sink w/Flexible Sprayer
- Gold Neo-Angle Shower Surround
- Sky Dome in Shower Area
- Mirrored Medicine Cabinet

- Storage Cabinet in Commode Area
- Porcelain Commode w/Spray Nozzle
- Washer/Dryer Prep
- Corian™ Sink Covers in Kitchen
- Water Purification System
- Holding Tank Power Flush System
- Solid Surface Lav Top w/Molded Sink

Exterior & Construction

- Large One-Piece Panoramic Windshield
- One-Piece, Radiused Fiberglass Roof
- Back-Up Camera w/Weatherproof Cover
- Deluxe Front Door w/Screen & Kick plate
- Trailer Hitch
- Chrome Package:**
 - Chrome Front Spotlight w/Power Controls
 - Chrome Front Air Horns
 - Chrome-Like Kick plate at Front Entry Door
 - Chrome Exhaust Tips
 - Chrome Exterior Vents for Radiator & Engine Compartment Doors
- Strong 1-1/2" x 1-1/2" Tubular Metal Const.
- Laminated Tubular Steel Floor w/Metal Underbelly and Weyerhaeuser Decking
- Super-Structure Steel Sub-Floor Sys. (3"x1-1/2")
- Laminated 2" Thick Floor & Wall Construction
- 1-1/2" Block Foam Insulation in Floor & Walls
- Steel Sidewall-to-Roof Transition Member
- Hinged & Insulated Ext. Storage Doors
- High-Density Block Foam Insulation Throughout
- Thick 4-1/2" Block Foam Roof Insulation
- Side-to-Side, Carpeted and Lighted Exterior Pass-Through Storage
- Full Fiberglass Front and Rear Caps
- Fiberglass Integrated Bumpers
- Full Body Undercoating
- Super-Slick Gel-Coat Fiberglass Exterior
- Hydraulic Slide Power Unit w/Manual Override

Heating, Ventilation & A/C

- Thermopane Windows Throughout
- Dual 13,500 BTU Ceiling Ducted A/C

- Built-In Overhead Defrost Fans
- In-Dash A/C and Heater w/Electronic Driver and Passenger Controls
- Heated & Insulated Basement with Enclosed Holding Tanks
- Insulated Ducted Furnace w/Electronic Ignition

Chassis

- Freightliner Custom Chassis 400 HP Cummins, Rear Radiator 860 ft. lbs., Torque, Allison 6 Speed Electronically Shifted Auto Transmission
- Air Brakes w/Pure Air Plus Heated Air Dryer
- Full Air-Ride Suspension w/Auto Leveling System
- Alcoa Aluminum Wheels w/Radial Tires

Deluxe Standard Features

- Auto Dash Air Conditioner
- Auto Cruise Control
- Electric Step Cover
- 150 lb. LP Tank
- Tinted Windshield & Windows
- 7.5 Onan Quiet Diesel Generator
- Deluxe Exterior Paint

Popular Options

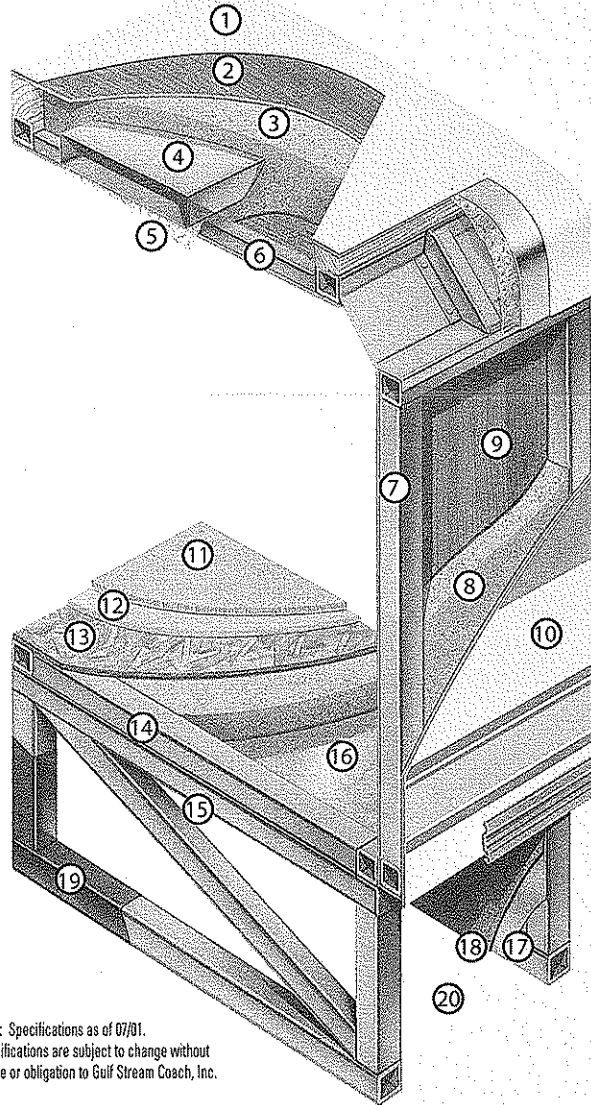
- 4-Door Flush-Mount Refrigerator
- Whirlpool Jets in Tub (8408)
- Satellite Dish System
- Satellite in Motion System
- Fully Automatic Hydraulic Coach Levelers
- Storage Compartment Slide Trays
- Exterior Entertainment Center
- Combo Vented Washer/Dryer
- Icemaker in Kitchen Cabinet
- Icemaker in 4-Door Refrigerator
- 50 lb. Freezer on Slide Tray in Basement
- Whirlpool Tub/Bath (Option 8408)
- Fireplace
- Plasma 42" Flat Screen

CRADLE OF STRENGTH

*Take the Time to Compare...
and you will find the exceptional value of a Gulf Stream Coach*

MOTORHOMES BUILT TO LAST

1. Seamless Fiberglass Roof For Greater Energy Efficiency and Dependability.
2. Luan Decking for Additional Strength.
3. Molded, High Density EPS (Expanded PolyStyrene) Roof Brick Insulation - Provides Consistent Insulative Value As Well As Superior Dimensional Rigidity.
4. One-Piece Formed Aluminum Air Conditioning Duct, Completely Surrounded By EPS Insulation.
5. Bubble-Wrapped Foil Insulation Provides Superior Insulation and Helps Prevent Condensation.
6. Rugged Welded Tubular Aluminum Roof Framing.
7. Rugged Heavy-Gauge Tubular Aluminum, Fixture Welded to Form the Sidewall Framing.
8. High-Density EPS Insulation Provides Superior Laminating and Bonding Characteristics and Insures Greater Energy Efficiency.
9. Interior Wall Panels Securely Laminated to Sidewall Framing.
10. Super Slick Fiberglass Exterior Vacuum-bond Laminated to Sidewall Framing for Lasting Beauty and Durability.
11. High-Quality Stain-Resistant Carpeting Available in Designer Coordinated Colors.



Note: Specifications as of 07/01.
Specifications are subject to change without notice or obligation to Gulf Stream Coach, Inc.

12. Extra-Thick Padding Under Carpet Provides Extra Comfort and Increases Carpet Durability.
13. Seamless Structurewood Floor Decking Laminated to Steel Floor Structure Assures a Quiet, Long-Lasting, Rigid Floor and comes with a 10-Year Warranty.
14. Heavy-Gauge Tubular Steel Framing, Fixture Welded for Extra Strength and Stability.
15. Heavy-Gauge Tubular Steel Framed, Fixture Welded Floor Truss System Provides the Strongest Foundation in the Industry.
16. Seamless Layer of Galvanized Steel Securely Laminated to the Steel Floor Framing.
17. Galvanized Steel Used to Form Each Storage & Holding Compartment.
18. Durable All-Weather Carpeting Completes Each Accessible Storage Compartment, Providing Extra Protection for Luggage and Valuables.
19. Rust-Prohibitive Paint Coating Applied to All Steel Framing Assures Corrosion and Rust Protection.
20. The Industry's Strongest, Most Spacious Exterior Storage Compartments.

POST OFFICE BOX 1005 NAPPANEE, IN 46550

Your Dealer



VISIT
www.gulfstreamrv.com

FOR MORE DETAILED INFORMATION...
OR CALL 1-800-765-8787 EXT. 3288

* All weights and measures are approximate and subject to change without notice. For more information, contact your local dealer, www.gulfstreamrv.com or Gulf Stream Coach, Inc. Gulf Stream Coach, Inc. reserves the right to make changes in prices, colors, materials, components and specifications and to discontinue models at any time without notice or obligation. Gulf Stream Coach, Inc. assumes no responsibility for any error in type or print reproduction of specifications or floorplans in this brochure. Photographs may show equipment or items that are optional and are not included in the purchase price of each coach, fifth wheel or trailer. © Copyright 2002 Gulf Stream Coach, Inc. Nappanee, Indiana USA