

**USA**  
SERVICE OFFICE  
Dometic Corporation  
2320 Industrial Parkway  
Elkhart, IN 46516  
574-294-2511

**CANADA**  
Dometic Corporation  
46 Zatonski, Unit 3  
Brantford, ON N3T 5L8  
CANADA  
519-720-9578

**For Service Center  
Assistance Call:**  
800-544-4881

**A&E**  
**SUNCHASER, 8500, 9000**  
**Patio Awning**  
**USER'S GUIDE**

**For**  
**8275000 Series**  
**Sunchaser Hardware**  
**8485000 Series**  
**Universal Hardware**  
**used with**  
**8500 or 9000**  
**Model Series Awnings**

**USER'S GUIDE**

**8275000 & 8485000**  
**SERIES**  
**HARDWARE**

**REVISION:**

Form No. 3309804.023 09/06  
(Replaces 3309804.015)  
(French 3309805.020)  
©2006 Dometic Corporation  
LaGrange, IN 46761

## SAFETY INSTRUCTIONS

This manual has safety information and instructions to help users eliminate or reduce the risk of accidents and injuries.

## RECOGNIZE SAFETY INFORMATION



This is the safety-alert symbol. When you see this symbol in this manual, be alert to the potential for personal injury.

Follow recommended precautions and safe operating instructions.

## UNDERSTAND SIGNAL WORDS

A signal word, **WARNING OR CAUTION** is used with the safety-alert symbol. They give the level of risk for potential injury.

**! WARNING** indicates a potentially hazardous situation which, if not avoided, could result in death or serious injury.

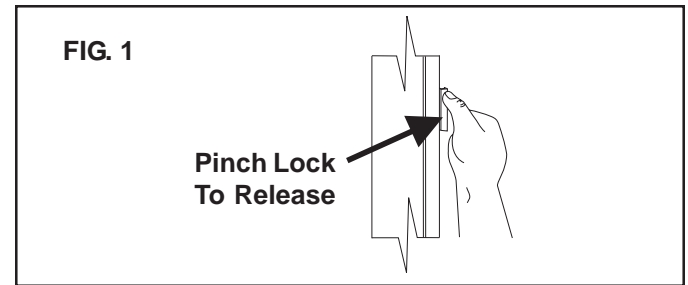
**! CAUTION** indicates a potentially hazardous situation which, if not avoided, may result in minor or moderate injury.

**CAUTION** used without the safety alert symbol indicates, a potentially hazardous situation which, if not avoided, may result in property damage.

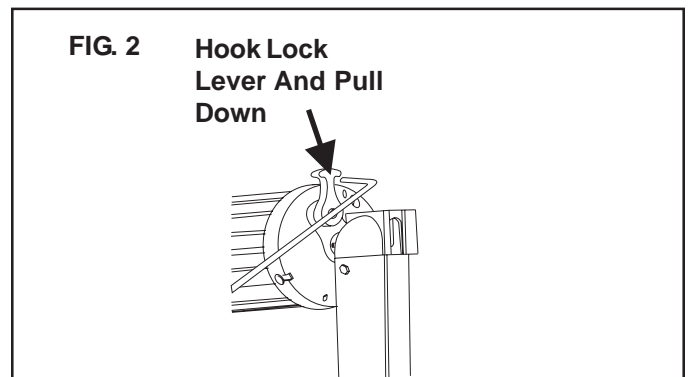
Read and follow all safety information and instructions.

### A. TO OPEN AWNING

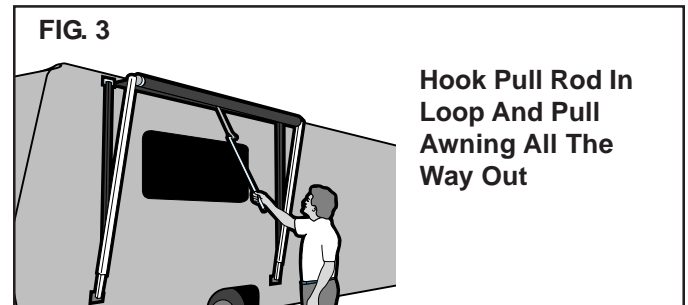
1. Pinch lock to release rafter from main arm assembly and loosen rafter knobs. See FIG. 1.



2. Use the pull rod to hook and pull down lock lever. See FIG. 2.

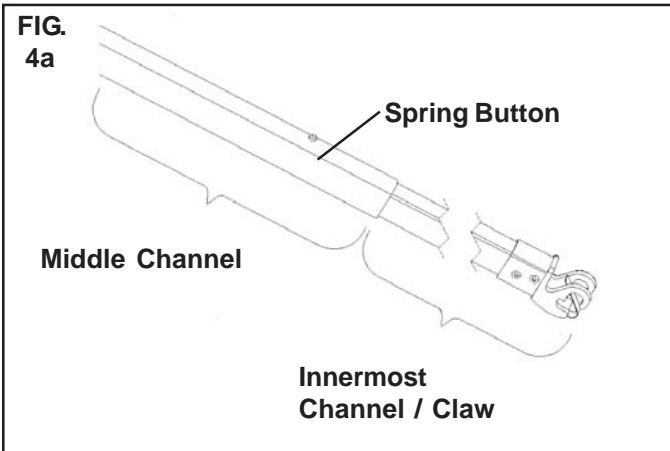
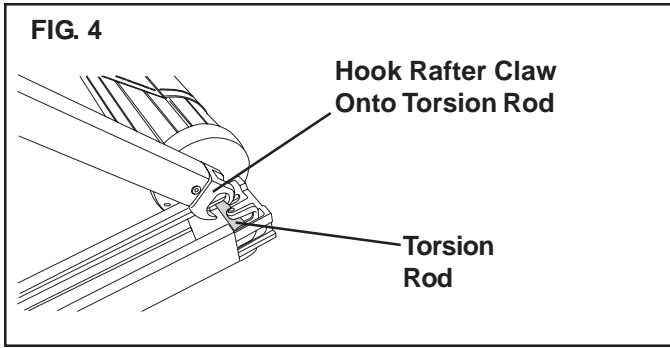


3. Hook the pull rod in the loop on the pull strap and pull awning all the way out. See Fig. 3.

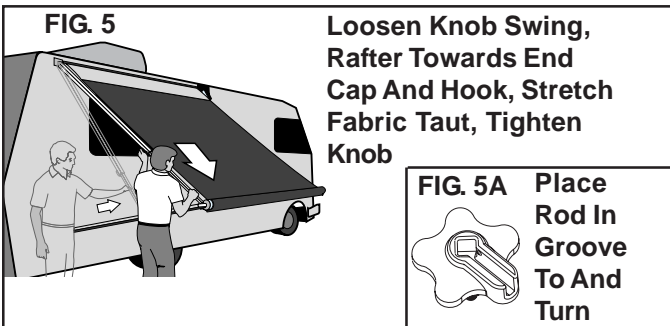


4. Swing rafter out and towards the roller tube end cap. Hook the rafter claw onto torsion rod inside of the end cap. See FIG. 4.

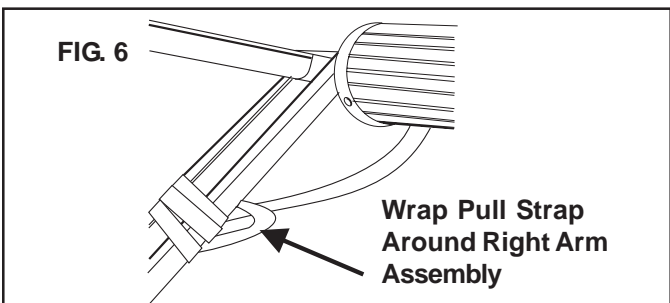
- a. When opening an awning with Short Universal Hardware, pull on the rafter claw to telescope the two inner channels out of the assembly. The innermost channel must extend out until the spring button pops in the hole on the upper surface of the middle channel. See FIG. 4A. Hook the rafter claw onto torsion rod inside of the end cap. See FIG. 4.



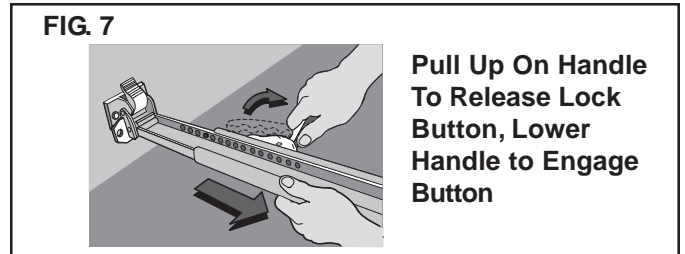
5. While stretching fabric taut, tighten knob. Repeat on opposite side. The rafter in the arm with the water shed feature is positioned higher, this could make tightening of the knob more difficult. The knob is designed with a groove. Insert the end of the 23" wire handle (supplied) in the groove and tighten the knob by turning the handle. See FIG. 5 & 5A.



6. Slide pull strap to the right hand end of the roller tube and wrap around arm. See FIG. 6.



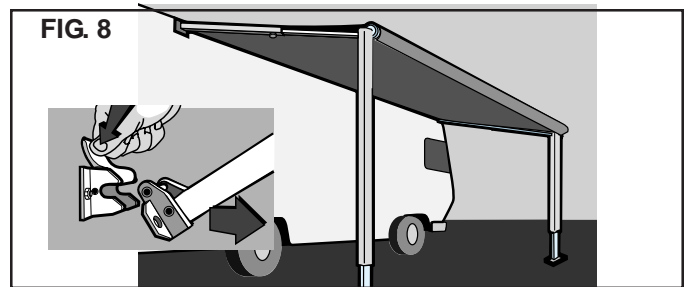
7. While holding arm, pull up on the lift handle to release and lift awning to desired height. Release handle and allow the lock button to engage into a hole in the adjustable arm. See FIG. 7.



8. To place the awning in the carport position, press the release lever on the bottom mounting bracket and pull the arm away. Move to a vertical position, and secure in place with stakes. Raise to desired height. Repeat on opposite end. See FIG. 8.

**CAUTION**

**Lifting Hazard:** Use extreme caution when lifting arm off bottom mounting bracket. If not controlled Fabric Roller Tube Assembly could cause back injury and or damage to RV and Awning.

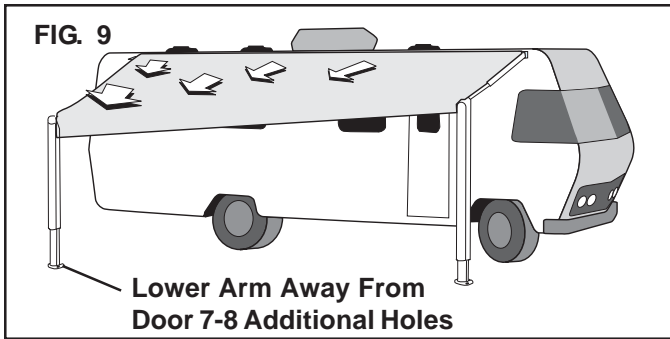


**Important:** Never leave the roller tube level with the awning rail, adjust both arms of the Universal Hardware 7 to 8 adjustable arm holes below awning rail (fabric slope approximately 10 degrees). Sunchaser hardware should be in the water shed position. See FIG. 9.

**WARNING**

**Water Pooling Hazard:** Whenever heavy rain is expected the awning must be placed in the storage position. Pooling of water on top of the awning fabric, will make the awning unstable causing the arms and roller tube to bend or collapse. Never release lift handle locks with water pooled on canopy. This will result in personal injury, death and damages to the awning and/or recreational vehicle.

1. If light rains are expected, place the awning in the water shed position. See FIG. 9.



**Note:** Universal hardware is designed with a water dump feature that will lower one side of the awning to allow water to run off. Before the water dump feature will operate as designed, lower both arms 7 to 8 holes (fabric slope approximately 10 degrees) below the coach awning rail. The water dump feature will not work if awning is flat. See FIG. 9.

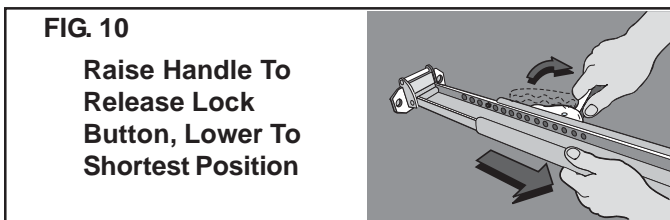
**Important:** If the 8485000 hardware is used with a tension rafter the water dump feature is disabled. The awning must be placed in the water dump position the same as the 8275000 hardware.

**Note:** Sunchaser Model Series 8275000 hardware is not equipped with the water dump feature and one arm must be an additional 7-8 holes (fabric slope approximately 10 degrees) lower than the other arm before it is in the water dump configuration See FIG. 9.

**Note:** Never leave an open awning unattended.

**B. TO CLOSE AWNING**

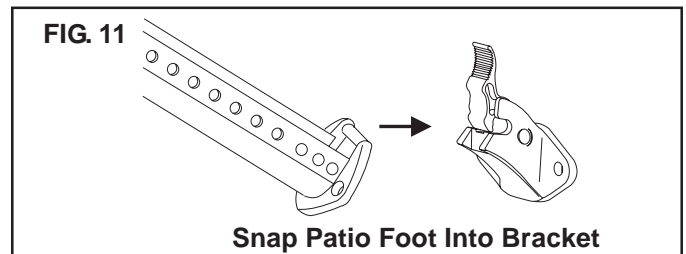
1. When in the carport position, remove stakes from the ground and unwrap pull strap. Grasp the upper arm with both hands, and raise lift handle to release lock button. Lower arms to their shortest position against the stops. See FIG. 10.



2. Make sure the lock lever on the awning right hand torsion is in the roll down position.

**! WARNING**  
**Pinch hazard: Always check to ensure the lock lever is in the roll down position. Failure to place Lock Lever in the roll down position will allow the awning to roll up unexpectedly and quickly resulting in pinching of hand, arm and/or damage to awning.**

3. Snap the patio foot into the bottom mounting bracket on the coach side wall. Repeat on opposite side. See FIG. 11.

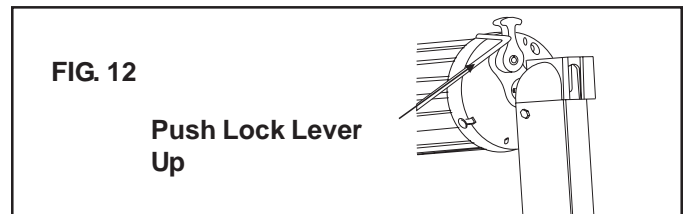


4. Loosen knob and unhook the rafter end from the torsion top casting.
  - a. If using Short Universal Hardware, telescope the innermost channel into the middle channel by proessing down on the spring button and pushing the channel inward. Make sure that the innermost and middle channels will telescope freely into the outermost channel before attempting to roll up the awning.

**CAUTION**  
**ON Universal models: Be sure to follow the instructions inside the of the hardware regarding proper stowing. Attempting to stow the rafter on the foot at the base of the water dump device could damage the hardware.**

5. For Sunchaser models, swing rafters back against side wall resting on top of the patio foot in the arm assembly. Repeat for opposite side. For Universal models do the same thing on the side without the water dump feature. However, on the water dump feature install the end of the rafter on the pin at the top of the gas spring. (See decal inside Water feature arm.)
6. Grasp pull strap in left hand and move towards the center of the roller tube. Hook the pull rod in the pull strap loop. See FIG. 12.

**Important: Do Not release pull strap. Awning is under spring tension and it could roll up unexpectedly and quickly against the vehicle side.**



7. While holding the pull strap, push the lock lever on the right awning end cap to the roll up position.
8. Control the speed of the awning and allow it to roll up, while moving the pull strap diagonally to the left or right to prevent it from bunching up.
9. Squeeze the rafter into the main arm until a click is heard. This will indicate it is locked in place. Tighten knobs on both sides to secure in place.

### C. CARE AND USE

1. Whenever the awning is wet while rolled up, as soon as conditions allow, roll it out and let it dry before rolling it up again. This will help prevent mildew and rotting.
2. Mildew does not form on the fabric itself, but on the accumulated dust, dirt and grime. Periodically clean vinyl or woven acrylic. Refer to cleaning instructions below for fabric care.
3. Always make sure the awning is extended high enough before opening the entry door.
4. Apply silicone spray lubricant as needed to keep the awning's moving parts operating smoothly. For ease of operation on hardware, rub candle wax on all sliding surfaces.
5. A&E 8500 and SUNCHASER:
  - a. Abrasion, weather and long hours in the sun are vinyl's worst enemies. To avoid these problems, you will need to keep your awning fabric clean. Use a mixture of 1/4 cup dish soap, 1/4 cup bleach and five gallons of fresh water. Soap the open awning with this mixture, then roll it up and let stand for five minutes. Rolling up of the awning will apply the mixture to the underside of the fabric. Unroll the awning and hose off the top and bottom with clean water. Repeat if necessary and allow to completely dry.
6. A&E 9000 :
  - a. In addition to its beauty and soft translucence, woven acrylic fabric offers the advantages of strength and breathable. It is water repellent; but because it is a woven cloth, it is not water proof. To keep your acrylic awning clean, simply hose it off occasionally and let it dry. Do Not Scrub.
  - b. Avoid touching the underside of the 9000 canopy when it is wet. To do so will break the surface tension of the water and encourage seepage through the fabric.
  - c. Because woven acrylic is of a much lighter weight than vinyl, shifting may occur if the awning and pull strap are not centrally aligned with the fabric roller tube while the awning is being rolled up. If necessary, roll the awning out and adjust the alignment.
7. When To Get More Help:
  - a. If malfunctions occur that cannot be corrected by reviewing this user's guide, contact a qualified Dometic service technician.

**Note:** A slight "travel line" may appear where the door roller contacts the awning fabric. This is considered normal and does not affect the integrity of the awning.