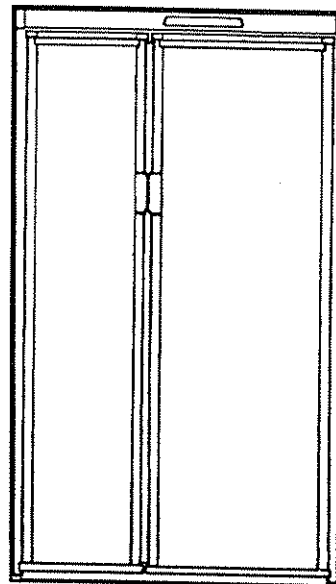
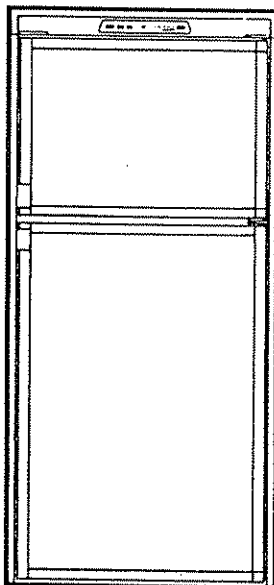




When ordering spare parts always state:
 Product No. - Model No. - Quantity - Part Number
 - Description
 For electric details also:
 Voltage - Wattage

REFRIGERATOR ICE MAKER OPERATION



SERVICE OFFICE
 The Dometic Corp.
 509 So. Poplar St.
 LaGrange, IN 46761
 (219) 463-4858

CANADA
 Dometic Dist.
 866 Langs Dr.
 Cambridge, Ontario
 (519) 653-4390

**For Service Center
 Assistance Call:**
 800-544-4881

MODELS

RM3662, RM3663
 RM3862, RM3863
 RM4872, RM4873
 NDR1062

MODELS

RM7732, NDR1292
 RM1272, NDR1492
 NDR1272

OPERATING INSTRUCTIONS

KIT NUMBER

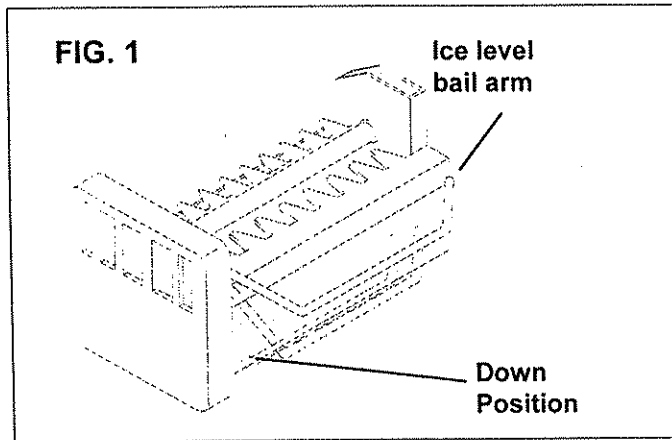
- 3108705.702 w/ Heater
 RM3662 RM3663
 RM3862 RM3863
- 3108705.710 w/ Heater
 RM4872 RM4873
- 3107665.006 w/ Heater
 NDR1062
- 3108705.728 w/ Heater
 RM7732
- 3108706.429 w/ Heater
 RM1272
- 3108705.587 w/ Heater
 NDR1272
- 3108706.668 w/ Heater
 NDR1292
- 3108706.676 w/ Heater
 NDR1492

REVISION
 Form No. 3108423.017 2/99
 (Replaces 3108423.009)
 ©1999 The Dometic Corporation
 LaGrange, IN 46761



A. GENERAL INSTRUCTIONS AND OPERATION

1. The refrigerator must be connected to 120 volts AC (VAC) before the ice maker can operate. The water valve supplying the refrigerator must be turned on, and the ice level bail arm in the fully down position. See Figure 1).



2. On absorption driven ice maker models, the refrigerator thermostat setting will directly influence the ice yield of the unit. When operating the refrigerator thermostat control at a "MID" or "LOWER" setting, the thermostat should be placed to a higher setting during expected ice maker production or demand. When not requiring high ice making yields, the refrigerator should be positioned back to a normal operating setting.
3. When the ice maker thermostat senses the preset temperature for the ejection of the ice cubes, the fingers will start to rotate, dumping any ice cubes and filling the mold with water. When the storage container is full, the bail arm will come in contact with the ice cubes. The bail arm cannot return to the full down position and the ice production is stopped until the bin is emptied, or ice cubes are removed.
4. To prevent water from splashing out of the mold assembly when your recreational vehicle is moving, raise the bail arm to the full "UP/OFF" position about 1-1/2 hours before departing. This will allow the water in the mold to freeze.
5. Due to the continued influx of water to the ice maker mechanism and freezer compartment, frost formation will naturally be accelerated in any absorption ice maker model. A frost accumulation of approximately 1/2 inch or thicker accumulation will begin to impede the cooling and ice making production of the unit. A simple defrost operation may be required to resume normal ice maker production.

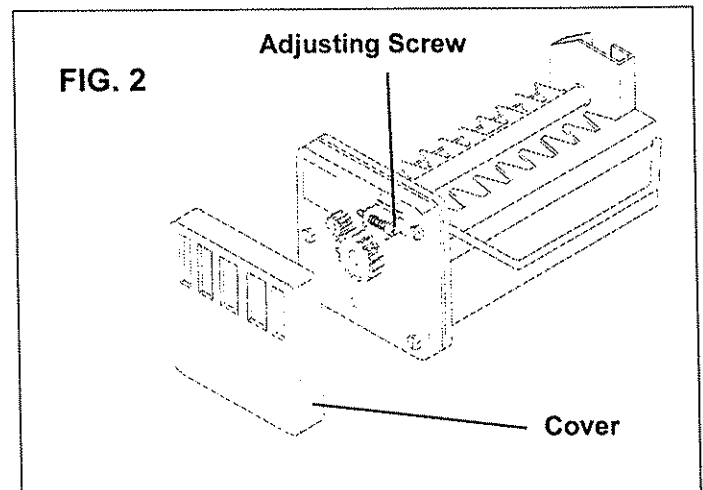
B. WATER SUPPLY

The water supply system must have a minimum pressure of 15 pounds per square inch gauge (psig). A 1/4" diameter water line to the water valve should be used at the rear of the refrigerator. The water line must have a manual shutoff valve placed where it is easily accessible.

C. HOW TO ADJUST SIZE OF CUBES

Note: If the ice maker was cleaned and drained, no ice cubes will be dumped into the bin during the first cycle.

1. The first few cycles may have small cubes due to air trapped in the water lines. The first container of ice cubes should be dumped if the water system has been winterized or not used for several weeks.
2. Once the ice maker has run through several cycles and if cubes are too small or sticking together, adjustment is necessary on the amount of water entering the mold.
3. Remove the protective cover from the ice maker mechanism. See Figure 2.



4. Locate the adjusting screw under the protective cover. Turn the screw counterclockwise to increase the size of cubes. Turn the screw clockwise to decrease the cube size or if the mold is overfilling, and the cubes are stuck together.

Important: To prevent overfilling, DO NOT turn the adjustment screw more than one revolution at a time. Allow the ice maker to cycle several times before another adjustment is made. Be sure to replace the protective cover on the cycle after the adjustments are complete.

D. WINTER OPERATION

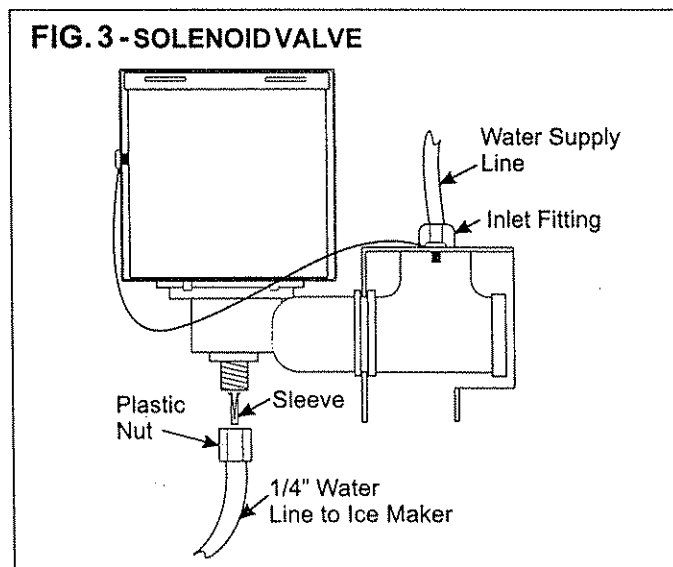
1. Your refrigerator is equipped with a heater tape wrapped around the water solenoid valve and outlet water tube. During cold weather operation below 32 degrees F (0 degrees C) the automatic temperature switch will turn the heater tape on automatically. If the recreational vehicle is in storage and the DC power is turned "OFF" there will be no 12VDC present to operate the heat tape; therefore, it will be necessary to drain the ice maker. **If temperatures are expected to reach or exceed 0 degrees F (-18 degrees C) the ice maker must be drained.**

Follow the instructions in Section E - How to Drain the Ice Maker.

E. HOW TO DRAIN THE ICE MAKER

Note: Water, compressed air and AC power are required to drain the ice maker. Draining of the ice maker must be done by a qualified service technician.

1. If the RV will not be in use for an extended period of time or put into storage, the ice maker should be drained and dried. This will prevent water from freezing in the solenoid valve or becoming stale and producing bad tasting ice.

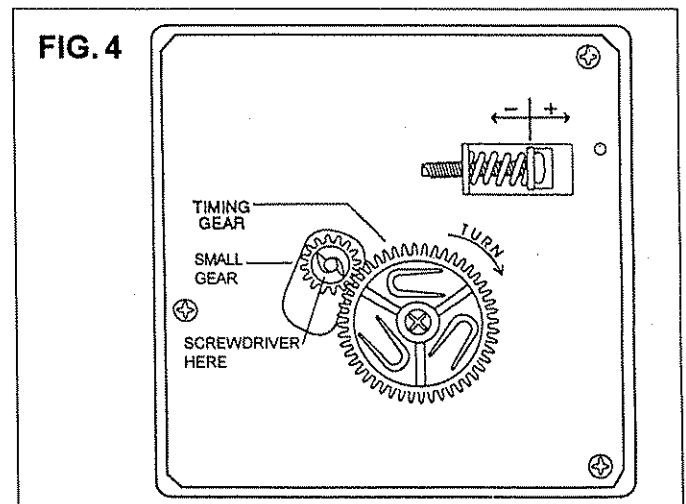


2. Close the shutoff valve in the water supply line to the ice maker. See Figure 3.
3. Place a shallow pan under the water solenoid valve.
4. The inlet fitting should be removed from the water solenoid valve. Drain water from the supply line. See Figure 3.
5. Remove the plastic nut and water line from the outlet side of the water solenoid valve. Drain water from line. See Figure 3.

6. Connect compressed air onto the inlet fitting of the water solenoid valve. See FIG. 3. Apply AC power to the solenoid valve by forcing the ice maker mold assembly through several harvest cycles. Remove the plastic cover from the mold assembly. The bail arm must be in the down ("ON") position. Start the harvest cycle with a flat blade screw driver inserted into the center of the small gear. Turn the gear counterclockwise, when the hold switch closes, the mold assembly will continue to operate through the harvest cycle. See FIG. 4. During the water fill sequence of the harvest cycle the compressed air will blow out the water trapped in the solenoid valve. Repeat the harvest cycle operation several times.

Note: Up to 20 PSIG air pressure can be used to clear the solenoid valve. AC power can be applied to the solenoid valve for a maximum of 20 seconds.

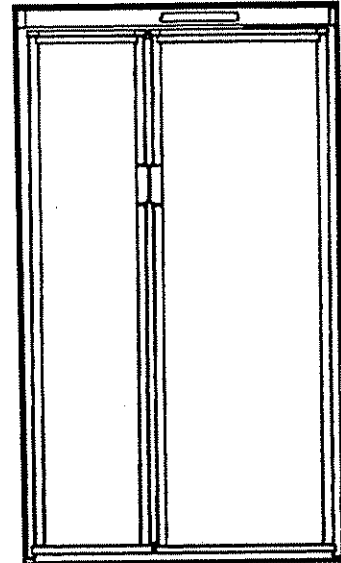
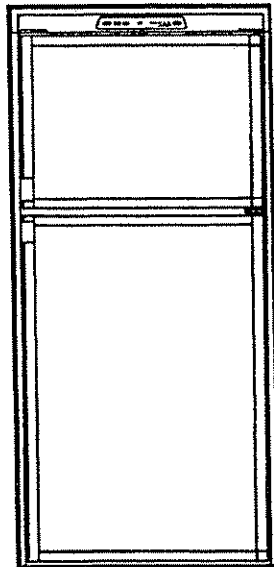
7. **Make sure that the metal sleeve is in the plastic water line to the ice maker.** Reconnect the inlet and outlet water lines on the water solenoid valve. Leave the water supply turned off. See Figure 3.
8. Dry out the ice maker mold assembly with a soft cloth. Place bail arm in the "UP/OFF" position.





When ordering spare parts always state:
 Product No. - Model No. - Quantity - Part Number
 - Description
 For electric details also:
 Voltage - Wattage

REFRIGERATOR ICE MAKER COMPONENTS



SERVICE OFFICE
 USA
 The Dometic Corp.
 509 So. Poplar St.
 LaGrange, IN 46761
 (219)463-4858

CANADA
 Dometic Dist.
 866 Langs Dr.
 Cambridge, Ontario
 (519)653-4390

For Service Center
 Assistance Call:
 800-544-4881

MODELS
 RM3662, RM3663
 RM3862, RM3863
 RM4872, RM4873
 NDR1062

MODEL
 RM7732
 RM1272
 NDR1272
 NDR1292
 NDR1492

KIT NUMBER

3106581.006	w/o Heater
3108705.702	w/ Heater
RM3662	RM3663
RM3862	RM3863
<hr/>	
3106581.014	w/o Heater
3108705.710	w/ Heater
RM4872	RM4873
<hr/>	
3107665.006	w/ Heater
	NDR1062
<hr/>	
3108703.004	w/o Heater
3108705.728	w/ Heater
	RM7732
<hr/>	
3108705.587	w/ Heater
	NDR1272
<hr/>	
3108706.429	w/ Heater
	RM1272
<hr/>	
3108706.668	w/ Heater
	NDR1292
<hr/>	
3108706.676	w/ Heater
	NDR1492

PARTS LIST

REVISION
 Form No. 3106730.058 11/99
 (Replaces 3106730.041)
 ©1999 The Dometic Corporation
 LaGrange, IN 46761

REFRIGERATOR ICE MAKER COMPONENTS

ALPHABETICAL INDEX

RM3662/RM3663; RM3862/RM3863; RM4872/RM4873; NDR1062

RM7732, RM1272, NDR1272, NDR1292, NDR1492

	Page	Index #
Ice Maker Exploded Assembly	4	A1-A14
Ice Maker, Front View	2	1-10
Ice Maker, Rear View	3	15-29

	Page	Index #
Ice Maker Exploded Assembly	7	A1-A14
Ice Maker, Front View	5	1-9
Ice Maker, Rear View	6	15-29

Ice Maker, Front View

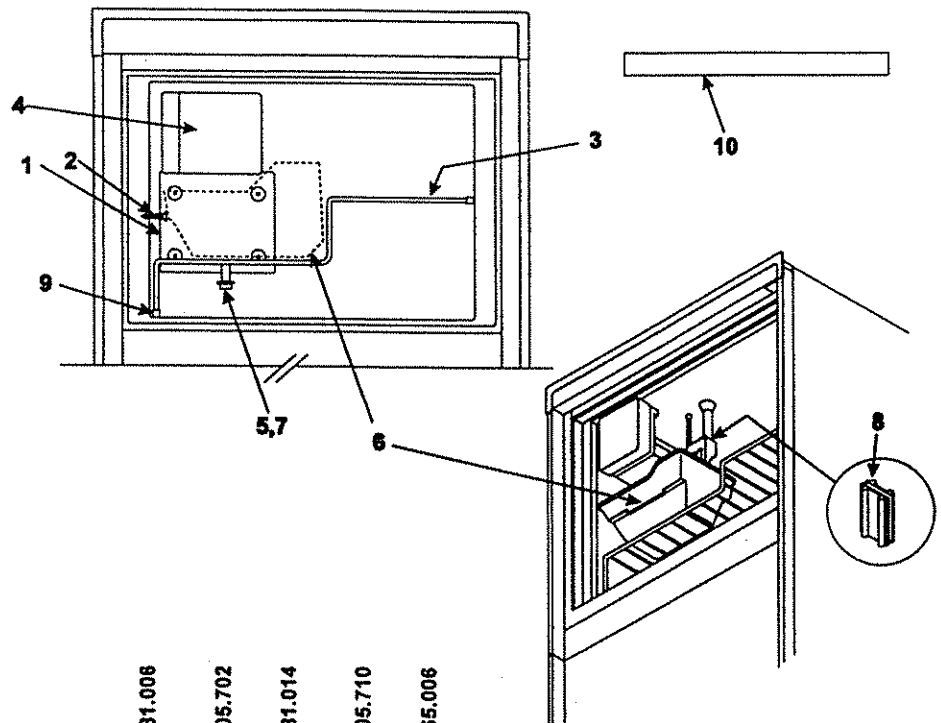
3106581.006 W/O Heater (RM3662/RM3663-RM3862/RM3863)

3108705.702 W/ Heater (RM3662/RM3663-RM3862/RM3863)

3106581.014 W/O Heater (RM4872/RM4873)

3108705.710 W/ Heater (RM4872/RM4873)

3107665.006 W/ Heater (NDR1062)



Index #	Part No.	3106581.006	3108705.702	3106581.014	3108705.710	3107665.006	Description
1	3108706.130	A	B	C	D	E	Shelf, Mounting
	3108706.148	A	B	C	D	E	Shelf, Mounting
2	3106586.005	A	B	C	D	E	Screw, #10 x 2" (3 req.)
	3106583.002	A	B	C	D	E	Shelf, Wire
3	3107664.009	—	—	—	—	E	Shelf, Wire
	3108703.418	A	B	C	D	E	Ice Cycle, compl. (See Page 4)
5	3108709.027	A	B	C	D	E	Screw, #8 x 1/2" Type F Hex SS (3 req.)
6	3106582.004	A	B	C	D	E	Bucket, Ice
7	3108706.007	A	B	C	D	E	Washer
8	3106324.001	A	B	C	D	—	Fill Piece, Water Tube
9	2943241.014	A	B	C	D	—	Cap, Shelf Wire (4 req.)
	2943241.014	—	—	—	—	E	Cap, Shelf Wire (2 req.)
10	3107176.004	A	B	—	—	—	Decoration, Door
	3107177.002	—	—	C	D	—	Decoration, Door
	3108705.314	—	—	—	—	E	Decoration, Door

REFRIGERATOR ICE MAKER COMPONENTS

Ice Maker, Rear View

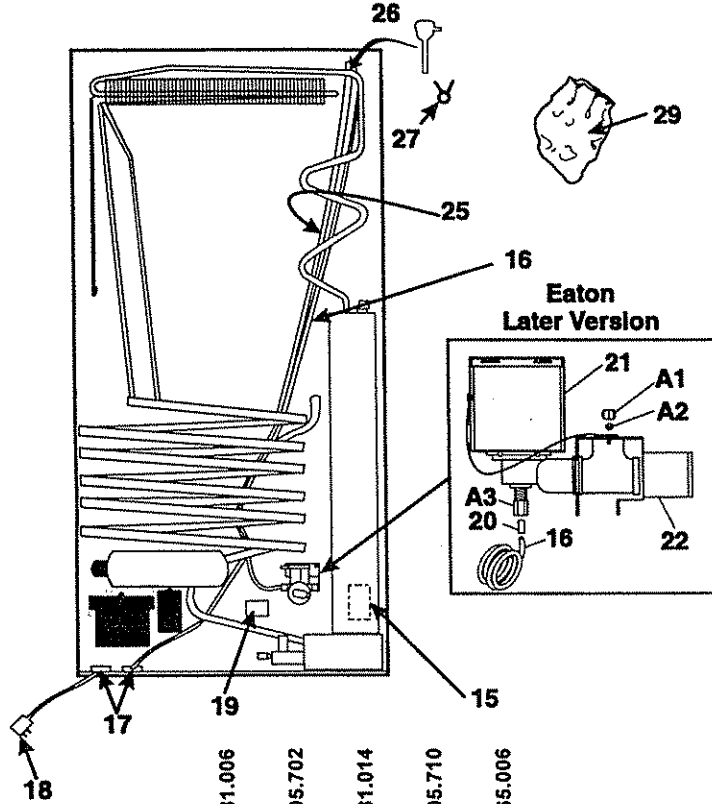
3106581.006 W/O Heater (RM3662/RM3663-RM3862/RM3863)

3108705.702 W/ Heater (RM3662/RM3663-RM3862/RM3863)

3106581.014 W/O Heater (RM4872/RM4873)

3108705.710 W/ Heater (RM4872/RM4873)

3107665.006 W/ Heater (NDR1062)

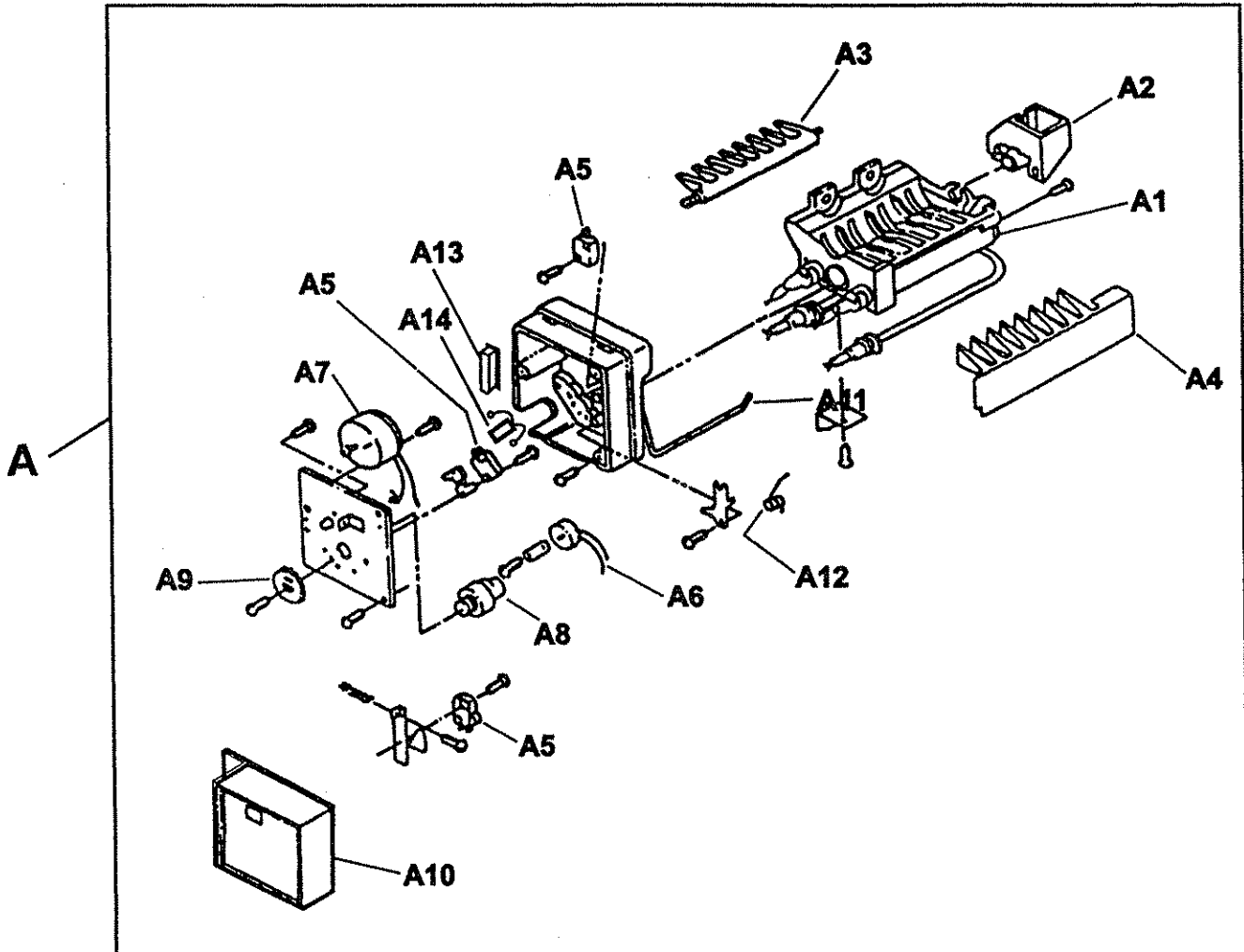


Index #	Part No.	3106581.006	3108705.702	3106581.014	3108705.710	3107665.006	Description
15	2931966002	A	B	C	D	E	Diagram, Wiring
16	3108705.637	A	B	C	D	E	Hose, Water Plastic 5'
17	2931963017	A	B	C	D	E	Connector, Terminal (3-way) (2 req.)
18	2002699078	A	B	C	D	E	Cord, Set 90°
19	2931975003	A	B	C	D	E	Label, Warning
20	2930841016	A	B	C	D	E	Insert, Solenoid (2 req.)
21	3108706.270	A	B	C	D	E	Solenoid, Water, Eaton
A1	3108706.296	A	B	C	D	E	Ferrule, Brass
A2	3108706.288	A	B	C	D	E	Nut, Brass
A3	2930839010	A	B	C	D	E	Nut, Plastic w/ Ferrule
22	3107803.003	A	B	C	D	E	Bracket, Solenoid, Eaton
25	3105585.016	A	B	C	D	E	Harness, Wire, 91"
26	3105349.009	A	B	C	D	E	Tube, Water Fill
27	3106315.009	A	B	C	D	E	Ring, Hog
28	3108071.006	A	B	C	D	—	Screw, #8 x 1/2" PPH Drill point (4 req.) Not Shown
	3108071.006	—	—	—	—	E	Screw, #8 x 1/2" PPH Drill point (2 req.) Not Shown
29	3108706.114	A	B	C	D	E	Parts Bag, Eaton valve
30	3108706.858	—	—	—	—	E	Screw, #8 x 3/8" Drill point (2 req.) Not Shown
31	3106868.007	—	B	—	D	E	Kit, Ice Maker Heater
	3106868.007	A	—	C	—	—	Customer Option, Heater

REFRIGERATOR ICE MAKER COMPONENTS

Ice Maker Exploded Assembly

(RM3662/RM3663, RM3862/RM3863, RM4872/4873, NDR1062)

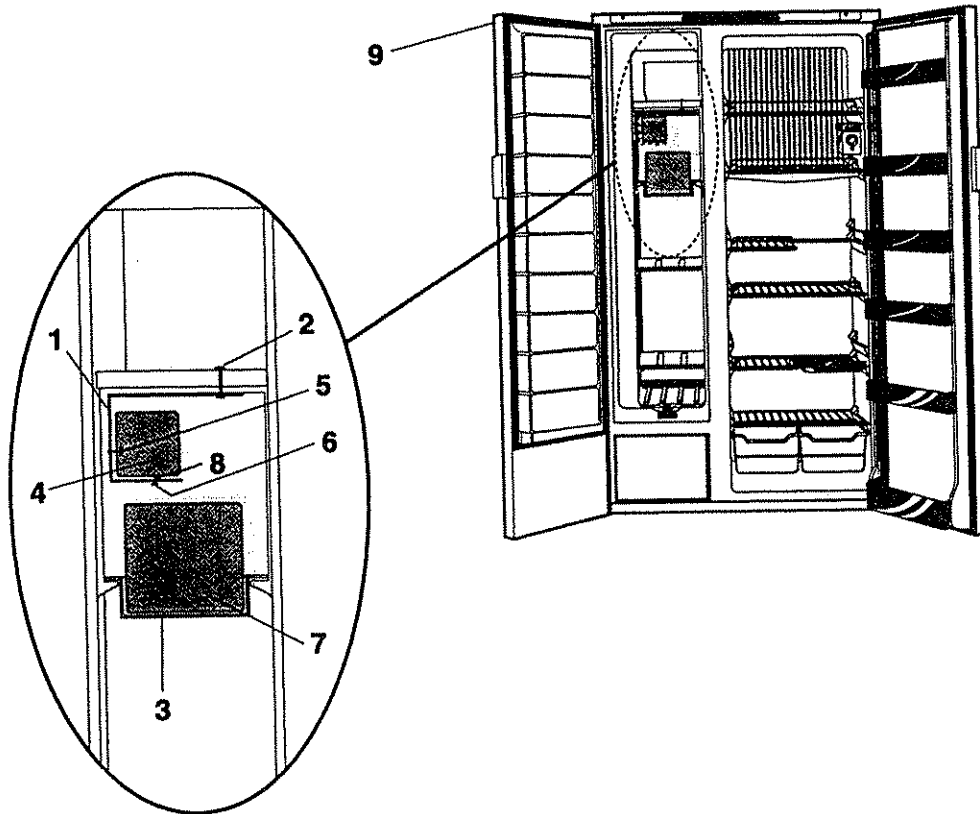


Item No.	Part No.	Description
A	3108703.418	Cycle, Ice, M-1
A1	3108702.915	Mold, body asm., w/heater
A2	3108703.426	Bearing and inlet
A3	3108703.434	Ejector
A4	3108703.442	Ice stripper
A5	3108703.459	Switch (3 req.)
A6	3108703.467	Thermostat, mold
A7	3108703.475	Motor
A8	3101295.008	Cam
A9	3101296.006	Gear
A10	3108702.873	Cover, cycle front
A11	3108702.881	Arm, shut-off
A12	3108702.899	Spring, shut-off arm
A13	3108702.907	Plug, 4-prong female elec. 110V
A14	3108706.445	Thermal Cut Off

REFRIGERATOR ICE MAKER COMPONENTS

Ice Maker, Front View

- 3108703.004 W/O Heater (RM7732)
- 3108705.728 W/ Heater (RM7732)
- 3108705.587 W/ Heater (NDR1272)
- 3108706.429 W/ Heater (RM1272)
- 3108706.668 W/ Heater (NDR1292)
- 3108706.676 W/ Heater (NDR1492)

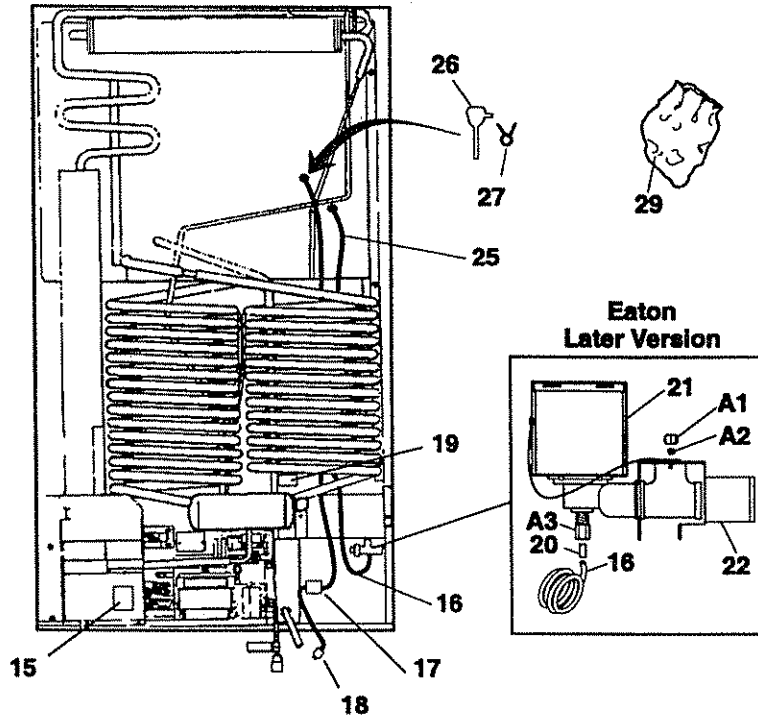


Index #	Part No.	3108703.004	3108705.728	3108705.587	3108706.429	3108706.668	3108706.676	Description
1	2931984021	A	B	C	D	E	F	Shelf, Mounting
	3108706.577	—	—	—	—	E	F	Shelf, Mounting
2	7252335133	A	B	C	D	E	F	Screw, Hex M65 5 x 30 (2 req.)
3	2931985010	A	B	C	D	—	—	Shelf, Wire
4	3108703.517	A	B	C	D	E	F	Ice Cycle, complete (see Page 7)
5	3108071.006	A	B	C	D	E	F	Screw, #8 x 1/2" PPH Drill point (8 req.)
6	3108709.027	A	B	C	D	E	F	Screw, #8 x 1/2" Type F Hex SS (3 req.)
7	3108702.998	A	B	C	D	E	F	Bucket, Ice
8	3108706.007	A	B	C	D	E	F	Washer
9	3107178.000	A	B	—	—	—	—	Decoration, Door
	3108705.322	—	—	C	—	—	—	Decoration, Door
	3108706.411	—	—	—	D	—	—	Decoration, Door
	3108112.008	—	—	—	—	E	—	Decoration, Door
	3108706.684	—	—	—	—	—	F	Decoration, Door

REFRIGERATOR ICE MAKER COMPONENTS

Ice Maker, Rear View

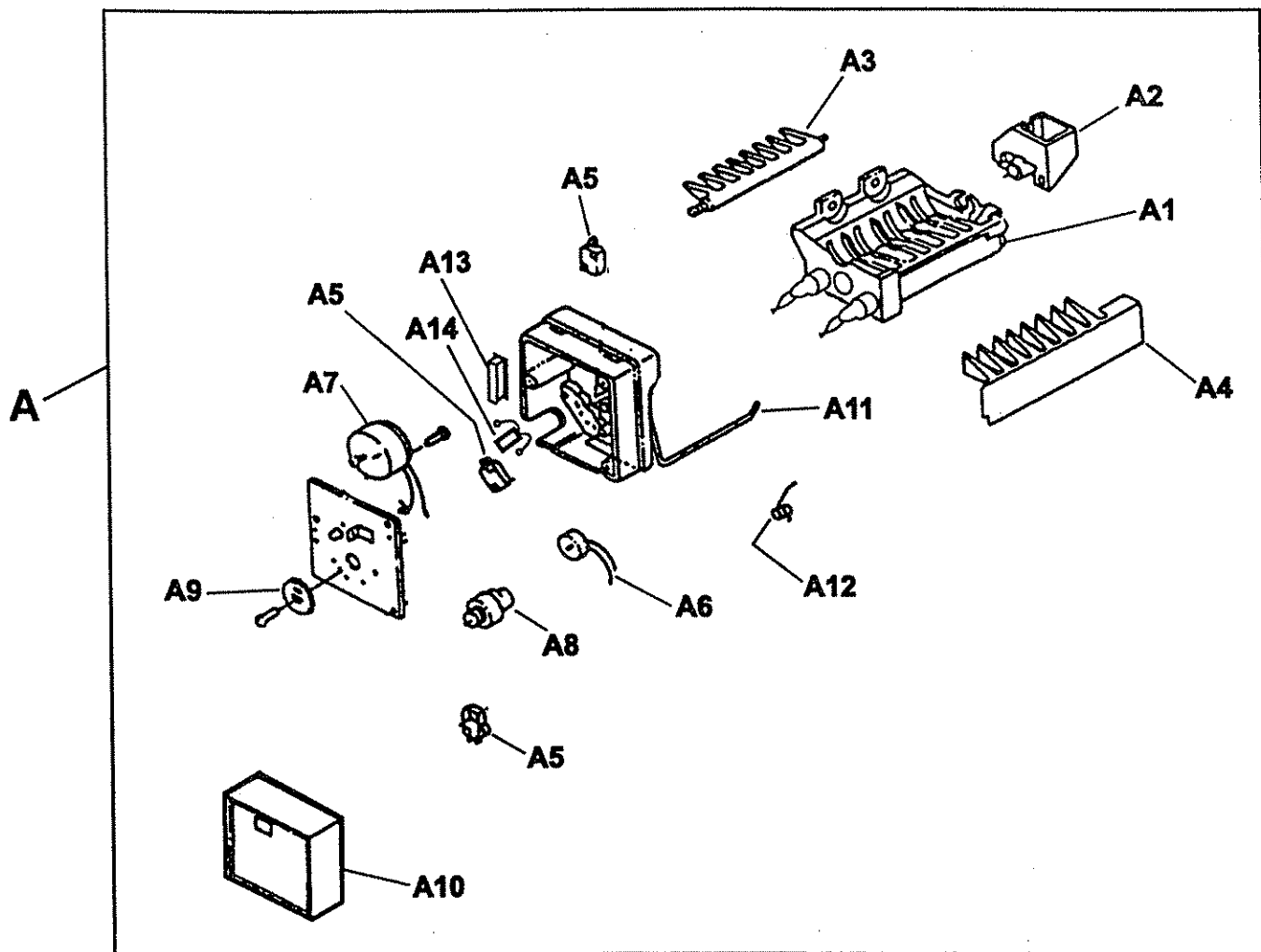
- 3108703.004 W/O Heater (RM7732)
- 3108705.728 W/ Heater (RM7732)
- 3108705.587 W/ Heater (NDR1272)
- 3108706.429 W/ Heater (RM1272)
- 3108706.668 W/ Heater (NDR1292)
- 3108706.676 W/ Heater (NDR1492)



Index #	Part No.	3108703.004	3108705.728	3108705.587	3108706.429	3108706.668	3108706.676	Description
15	2931988006	A	B	C	D	E	F	Diagram, Wiring
16	3108705.637	A	B	C	D	E	F	Hose, Water Plastic 5'
17	2931963018	A	B	C	D	E	F	Connector, Terminal (4-way)
18	2002699080	A	B	C	D	E	F	Cord, Set Straight
19	2931975003	A	B	C	D	E	F	Label, Warning
20	2930841016	A	B	C	D	E	F	Insert, Solenoid (2 req.)
21	3108706.270	A	B	C	D	E	F	Solenoid, Water, Eaton
A1	3108706.296	A	B	C	D	E	F	Ferrule, Brass
A2	3108706.288	A	B	C	D	E	F	Nut, Brass
A3	2930839010	A	B	C	D	E	F	Nut, Plastic w/ Ferrule
22	3107803.003	A	B	C	D	E	F	Bracket, Solenoid, Eaton
25	3105585.008	A	B	C	D	E	F	Harness, Wire 73"
26	3105349.009	A	B	C	D	E	F	Tube, Water Fill
27	3106315.009	A	B	C	D	E	F	Ring, Hog
29	3108706.122	A	B	C	—	—	—	Parts Bag, Eaton valve
31	3108706.080	—	B	C	D	E	F	Kit, Ice Maker Heater
	3108706.080	A	—	—	—	—	—	Customer Option, Heater

REFRIGERATOR ICE MAKER COMPONENTS

ICE MAKER – EXPLODED VIEW
(RM7732, RM1272, NDR1272, NDR1292, NDR1492)



Item No.	Part No.	Description
A	3108703.517	Cycle, Ice, M-1
A1	3108702.915	Mold, body asm., w/heater
A2	3108703.426	Bearing and inlet
A3	3108703.434	Ejector
A4	3108703.442	Ice stripper
A5	3108703.459	Switch (3 req.)
A6	3108703.467	Thermostat, mold
A7	3108703.475	Motor
A8	3101295.008	Cam
A9	3101296.006	Gear
A10	2930874025	Cover, cycle front
A11	3108702.881	Arm, shut-off
A12	3108702.899	Spring, shut-off arm
A13	3108702.907	Plug, 4-prong female elec. 110V
A14	3108706.445	Thermal Cut Off

IMPORTANT!

Valuable Dometic Refrigerator Warranty and Maintenance Schedule Enclosed

Congratulations, and Thank You for purchasing the industry's best built and best backed RV Refrigerator. Enclosed you will find important warranty and maintenance information on Dometic's exclusive three (3) year warranty. Please take a few moments and familiarize yourself with the program. We at Dometic appreciate your business and are confident that you will have many years of trouble-free RV enjoyment.

REVISION

Form No. 3108443.023 6/99

(Replaces 3108443.015) (French 3109188.007)

©1999 The Dometic Corporation

LaGrange, IN 46761

**The Coolest Ideas
Come From**

 **Dometic®**

Dometic LIMITED THREE-YEAR WARRANTY DOMETIC REFRIGERATORS

THE SELLER NAMED BELOW MAKES THE FOLLOWING WARRANTY WITH RESPECT TO THE DOMETIC PRODUCT:

1. This warranty is made only to the first purchaser (herein after referred to as the "Original Purchaser") who acquires the product for his own use and is installed and operated within the continental United States and Canada.
2. This warranty will be in effect for three years on parts and freight and two years on labor from the date of purchase by the Original Purchaser. It is suggested that the original purchaser retain a copy of the dated bill of sale as evidence of the date of purchase.
3. This warranty covers only specified parts, which shall be free from defects in material and workmanship under normal use. This warranty does not cover conditions unrelated to the material and workmanship of the product. Such unrelated conditions include, but are not limited to: (a) damage not reported within the first 7 days of ownership; (b) faulty installation or installation that does not comply with RVIA standards, and any damage resulting from such; (c) the need for normal maintenance and any damage resulting from the failure to provide such maintenance; (d) failure to follow Seller's instructions for use of product; (e) any accident to or misuse of any part of this product and any alteration by anyone other than the Seller or its authorized representative; (f) any non-Dometic parts that are installed as replacement parts will void any warranty (implied or written); (g) blow out conditions; (h) radio frequency interference and electromagnetic interference; (i) 12V system chassis ground decay and corrosion; (j) puncture of foam cabinet or vacuum insulated panels after acknowledged receipt; (k) animal or insect infiltration which damages unit or inhibits performance; (l) abuse or misuse of electrical components.
4. The specified parts covered by this warranty are as follows: Major components (cooling unit, LP gas valve, burner, burner housing, electronic display, electronic module, evaporator fins, foam integrity, frame, thermister, spark probe, ignition wire, icemaker compressor, second absorption loop, display escutcheon, lower toe plate, humidity switch, frame heater mullion, icemaker mullion) are covered for parts and freight for three years and labor for two years from date of purchase. All other components that fail must be reported within the first 90 days of ownership in order to receive coverage of parts, freight and labor under warranty.
5. This warranty requires the Original Purchaser to provide preventative maintenance on a yearly basis, starting at the anniversary of his date of purchase. The Original Purchaser must keep a record of the preventative maintenance to keep the warranty in effect. Failure of the Original Purchaser in providing this annual maintenance may void the warranty. The preventative maintenance must be performed at a Dometic Authorized Service Center/Dealer. The preventative maintenance required is an inspection, cleaning and full diagnostics performed on the entire electronic system, burner assembly, wiring and cooling unit. A copy of the receipt covering the maintenance checks must accompany the warranty claim during the second and third year of ownership. The cost of this preventative maintenance is the Original Purchaser's responsibility and should take about one hour.
6. In order to obtain the benefits of this warranty, the original purchaser must return the product which is found defective to the Seller named below or to a Dometic Authorized Service Center during the period that this warranty is in effect. The original purchaser is responsible for all charges incurred in delivery of the product to the Seller or Dometic Authorized Service Center, and in pickup after the warranty service has been completed. To obtain the location of the nearest Authorized Service Center, please call 1-800-544-4881 or in Canada call 1-519-653-4390.
7. Any item returned in the manner described in paragraph 6 will be examined by the Seller or the Authorized Dometic Service Center. If it is found that the returned item was defective in material and workmanship, the Seller or the Authorized Dometic Service Center will repair the product per the terms outlined in paragraph 4. **CONFIRM THE SERVICE AGENCY IS AN AUTHORIZED DOMETIC SERVICE CENTER. DO NOT PAY THE SERVICE AGENCY FOR WARRANTY REPAIRS. SUCH PAYMENTS WILL NOT BE REIMBURSED.**
8. The Seller does not authorize any person or company to create any warranty obligations or liability on their behalf. This warranty is not extended by the length of time which you are deprived of the use of the product. Repairs and replacement parts provided under the terms of this warranty shall carry only the non-expired portion of this warranty.
9. In no event shall either seller be liable for incidental or consequential damages. This includes any damage to another product or products resulting from such a defect. Some states do not allow the exclusion or limitation of incidental or consequential damages, so the above limitations may not apply.
10. Any implied warranty, including the implied warranty of merchantability and fitness for any purpose, is limited to the duration of this limited warranty. Some states do not allow limitations on how long an implied warranty can last, so the above limitation may not apply.
11. THIS WARRANTY GIVE SPECIFIC LEGAL RIGHTS, YOU MAY ALSO HAVE OTHER RIGHTS WHICH VARY FROM STATE TO STATE. No action to enforce this warranty shall be commenced later than ninety (90) days after the expiration of the warranty period. Claims must be submitted in writing to the Dometic Warranty Department for arbitration.
12. All products (except those specifically built for commercial use) are warranted only when installed on vehicles built to R.V.I.A and C.R.V.A, Z-240 Standards.
13. The Seller reserves the right to change the design of any product without notice and with no obligation to make corresponding changes in products previously manufactured.

REFRIGERATOR OWNER MAINTENANCE YEARLY RECORD

Customer Name: _____ Model No.: _____ Date of Purchase: _____
 Address: _____ Serial No.: _____
 City: _____ State: _____ Zip Code: _____
 Phone: _____

FIRST YEAR

Date: _____
 Dealership: _____

 Address: _____

 City: _____
 State: _____ Zip: _____
 Phone: _____
 Technician: _____

Cleaned Burner Assembly: Yes / No
 Cleaned/Check All Terminals Connections: Yes / No
 Cleaned/Inspect All Ground Connections: Yes / No
 Inspect and Test Door Seals: Yes / No
 Inspect and Tighten LP Lines: Yes / No
 Power Ventilator Installed: Yes / No
 *Gas Safety Shutdown in 45 seconds: Yes / No

	ACTUAL	SPEC. RANGE
Electrode Gap	_____	3/16"
Thermister Reading	_____	7-10,000 ohms @ 32°
*D/C Voltage	_____	9.5 to 15 volts D/C
*A/C Voltage	_____	120 Volts ± 10%
Thermocouple Reading	_____	25-35 Millivolts
*Delay Between Modes	_____	Approx. 5 seconds

* Use PAL RV Diagnostic Tool for these tests.

ICEMAKER MODELS

Inspect Water Valve and All Connections: Yes / No
 Inspect Heat Tape Switch for Proper
 Operation: Yes / No

SECOND YEAR

Date: _____
 Dealership: _____

 Address: _____

 City: _____
 State: _____ Zip: _____
 Phone: _____
 Technician: _____

Cleaned Burner Assembly: Yes / No
 Cleaned/Check All Terminals Connections: Yes / No
 Cleaned/Inspect All Ground Connections: Yes / No
 Inspect and Test Door Seals: Yes / No
 Inspect and Tighten LP Lines: Yes / No
 Power Ventilator Installed: Yes / No
 *Gas Safety Shutdown in 45 seconds: Yes / No

	ACTUAL	SPEC. RANGE
Electrode Gap	_____	3/16"
Thermister Reading	_____	7-10,000 ohms @ 32°
*D/C Voltage	_____	9.5 to 15 volts D/C
*A/C Voltage	_____	120 Volts ± 10%
Thermocouple Reading	_____	25-35 Millivolts
*Delay Between Modes	_____	Approx. 5 seconds

* Use PAL RV Diagnostic Tool for these tests.

ICEMAKER MODELS

Inspect Water Valve and All Connections: Yes / No
 Inspect Heat Tape Switch for Proper
 Operation: Yes / No

THE DOMETIC CORPORATION

Warranty Department
509 South Poplar Street
LaGrange, Indiana 46761
Phone: 219-463-2191
Fax: 219-463-7734