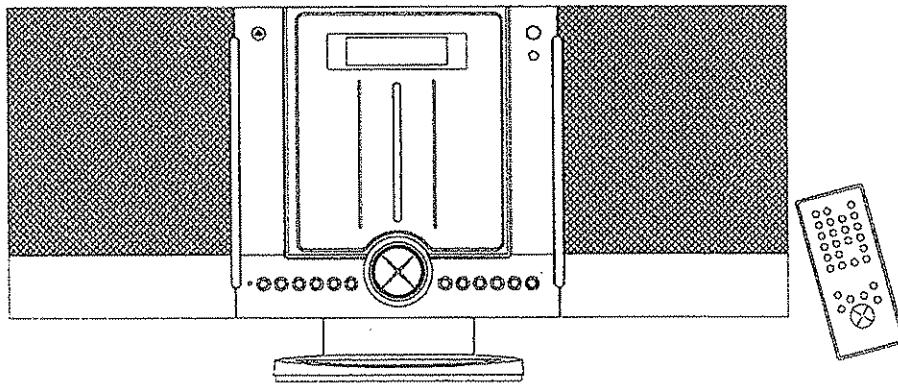


 **FISHER**

*Studio - Standard*





## **3 - PIECE AUDIO SYSTEM**



**INSTRUCTION MANUAL**  
**SLIM-1600**

Thank-you for choosing Fisher. This compact and flexible audio system comes with a built-in CD player, AM/FM stereo tuner, clock/timer feature, removable speakers and remote control. The unit is fully wall-mountable.

**SAFETY INFORMATION**

 <div style="border: 1px solid black; padding: 5px; text-align: center;"> <b>CAUTION</b>              RISK OF ELECTRIC SHOCK              DO NOT OPEN         </div> 	 <p>The lightning flash with arrowhead symbol within an equilateral triangle is intended to alert the user to the presence of uninsulated "dangerous voltage" within the product's enclosure that may be of sufficient magnitude to constitute a risk of electric shock to persons.</p>
<p>CAUTION: TO REDUCE THE RISK OF ELECTRIC SHOCK, DO NOT REMOVE COVER. NO USER-SERVICEABLE PARTS INSIDE. REFER SERVICING TO QUALIFIED SERVICE PERSONNEL</p>	 <p>The exclamation point within an equilateral triangle is intended to alert the user to the presence of important operating and maintenance (servicing) instructions in the literature accompanying the product.</p>

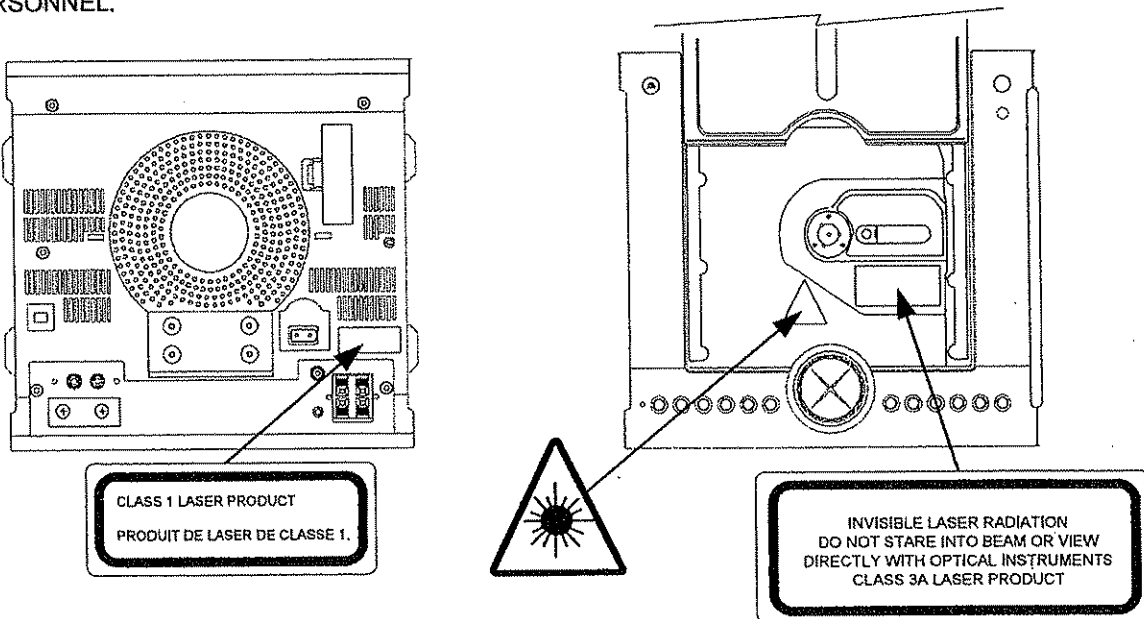
**WARNING: TO AVOID THE HAZARDS OF FIRE OR ELECTRICAL SHOCK, DO NOT EXPOSE THIS APPLIANCE TO RAIN OR OTHER MOISTURE.**

**CAUTION: TO PREVENT ELECTRICAL SHOCK, MATCH WIDE BLADE OF PLUG TO WIDE SLOT, FULLY INSERT.**

**SAFETY CERTIFICATION**

This unit is made and tested to meet exacting safety standards. It meets CSA and FCC requirements and complies with safety performance standards of the U.S. Department of Health and Human Services.

**CAUTION - USE OF CONTROLS OR ADJUSTMENTS OR PERFORMANCE OF PROCEDURES OTHER THAN THOSE SPECIFIED HEREIN MAY RESULT IN HAZARDOUS RADIATION EXPOSURE. THIS UNIT SHOULD NOT BE ADJUSTED OR REPAIRED BY ANYONE EXCEPT QUALIFIED SERVICE PERSONNEL.**



## **FCC information**

**For CD player section:** This device complies with Part 15 of the FCC Rules. Operation is subject to the following two conditions: (1) This device may not cause harmful interference, and (2) this device must accept any interference received, including interference that may cause undesired operation.

## **NOTE:**

This equipment has been tested and found to comply with the limits for a Class B digital device, pursuant to Part 15 of the FCC Rules. These limits are designed to provide reasonable protection against harmful interference in a residential installation. This equipment generates, uses and can radiate radio frequency energy and, if not installed and used in accordance with the instructions, may cause harmful interference to radio communications. However, there is no guarantee that interference will not occur in a particular installation. If this equipment does cause harmful interference to radio or television reception, which can be determined by turning the equipment off and on, the user is encouraged to try to correct the interference by one or more of the following measures:

- Reorient or relocate the receiving antenna.
- Increase the separation between equipment and receiver.
- Connect the equipment into an outlet on a different circuit from that to which the receiver is connected.
- Consult the dealer or an experienced radio/TV tech.

## **FOR SAFE AND EFFICIENT OPERATION**

- Do not damage the power cord.
- When not in use, disconnect the power cord from the outlet. Grasp the plug, not the cord, when disconnecting the unit.
- If water should enter the unit, electrical shock or malfunction may result. Use in an area where there is low humidity and little dust.
- Do not disassemble or alter the unit in any way.
- Do not use the unit in areas where extremes in temperature occur (below 40°F or exceeding 95°F), or where it may be exposed to direct sunlight.
- Because of the CD player's extremely low noise and wide dynamic range, there is a tendency to turn the volume on the amplifier higher than necessary. Doing so may produce an excessively high output from the amplifier, which can cause damage to your speakers. Please be careful in this regard.
- Sudden changes in the surrounding temperature can cause dew to form on the optical pickup lens inside unit. Under this condition, the unit may be unable to operate properly. If this should occur, remove the disc and allow the player to adjust to the surrounding temperature.

**WARNING:** Handling the cord on this product or cords associated with accessories sold with this product, will expose you to lead, a chemical known to the State of California to cause cancer, and birth defects or other reproductive harm.

**Wash hands after handling.**

# **IMPORTANT SAFETY INSTRUCTIONS**

1. **Read Instructions** - All the safety and operating instructions should be read before the product is operated.
2. **Retain Instructions** - The safety and operating instruction should be retained for future reference.
3. **Heed Warnings** - All warnings on the product and in the operating instructions should be adhered to.
4. **Follow Instructions** - All operating and use instructions should be followed.
5. **Cleaning** - Unplug this product from the wall outlet before cleaning. Do not use liquid cleaners or aerosol cleaners. Use a damp cloth for cleaning.
6. **Attachments** - Do not use attachments not recommended by the product manufacturer as they may cause hazards.
7. **Water and Moisture** - Do not use this product near water - for example, near a bath tub, wash bowl, kitchen sink, or laundry tub, in a wet basement, or near swimming pool, and the like.
8. **Accessories** - Do not place this product on an unstable cart, stand tripod, bracket, or table. The product may fall, causing serious injury to a child or adult, and serious damage to the product. Use only with a cart, stand, tripod, bracket, or table recommended by the manufacturer, or sold with the product. Any mounting of the product should follow the manufacturer's instructions and should use a mounting accessory recommended by the manufacturer.
9. A product and cart combination should be moved with care. Quick stops, excessive force, and uneven surfaces may cause the product and cart combination to overturn.



PORTABLE CART WARNING  
(symbol provided by RETAC)

10. **Ventilation** - Slots and openings in the cabinet are provided for ventilation and to ensure reliable operation of the product and to protect it from overheating, and these openings must not be blocked or covered. The openings should never be blocked by placing the product on a bed, sofa, rug, or other similar surface. This product should not be placed in a built-in installation such as a bookcase or rack unless proper ventilation is provided or the manufacturer's instruction have been adhered to.
11. **Power Sources** - This product should be operated only from the type of power source indicated on the marking label. If you are not sure of the type of power supply to your home, consult your product dealer or local power company. For products intended to operate from battery power, or other sources, refer to the operating instructions.

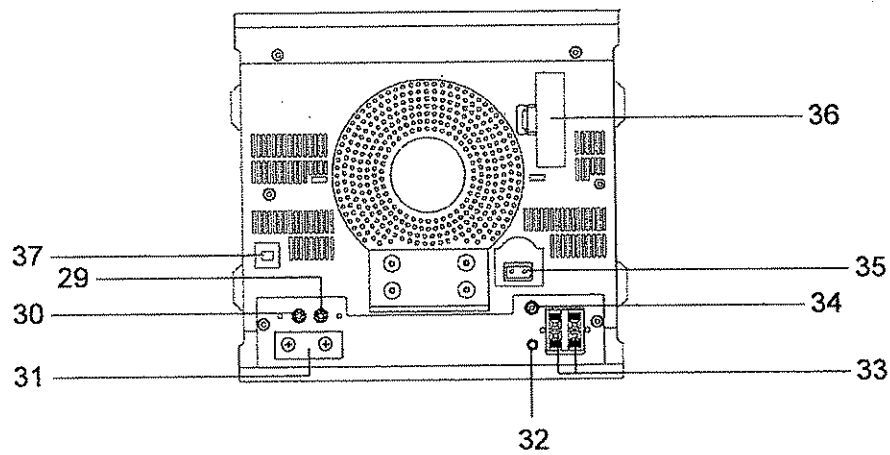
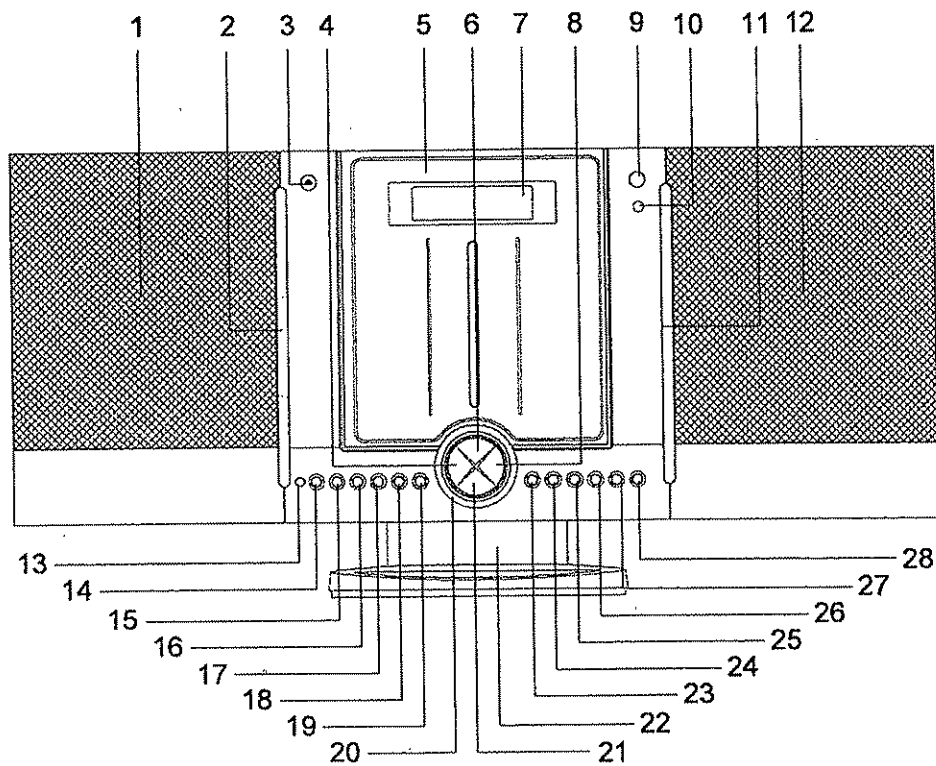
# **IMPORTANT SAFETY INSTRUCTIONS**

12. **Grounding or Polarization** - This product may be equipped with a polarized alternating current line plug (a plug having one blade wider than the other). This plug will fit into the power outlet only one way. This is a safety feature. If you are unable to insert the plug fully into the outlet, try reversing the plug. If the plug should still fail to fit, contact your electrician to replace your obsolete outlet. Do not defeat the safety purpose of the polarized plug.
13. **Power-Cord Protection** - Power supply cords should be routed so that they are not likely to be walked on or pinched by items placed upon or against them, paying particular attention to cords at plugs, convenience receptacles, and the point where they exit from the product.
14. **Lightning** - For added protection for this product during a lightning storm, or when it is left unattended and unused for long periods of time, unplug it from the wall outlet. This will prevent damage to the product due to lightning and power-line surges.
15. **Overloading** - Do not overload wall outlet, extension cords, or integral convenience receptacles as this can result in a risk of fire or electric shock.
16. **Object and Liquid Entry** - Never push objects of any kind into this product through openings as they may touch dangerous voltage points or short-out parts that could result in a fire or electric shock. Never spill liquid of any kind on the product.
17. **Servicing** - Do not attempt to service this product yourself as opening or removing covers may expose you to dangerous voltage or other hazards. Refer all servicing to qualified service personnel.
18. **Damage requiring Service** - Unplug this product from the wall outlet and refer servicing to qualified service personnel under the following conditions:
  - a) When the power-supply cord or plug is damaged,
  - b) If liquid has been spilled, or objects have fallen into the product,
  - c) If the product has been exposed to rain or water,
  - d) If the product does not operate normally by following the operating instructions. Adjust only those controls that are covered by the operating instructions as an improper adjustment of other controls may result in damage and will often require extensive work by a qualified technician to restore the product to its normal operation.
  - e) If the product has been dropped or damaged in any way.
  - f) When the product exhibits a distinct change in performance - this indicates a need for service.

# **IMPORTANT SAFETY INSTRUCTIONS**

19. **Replacement Parts** - When replacement parts are required, be sure the service technician has used replacement parts specified by the manufacturer or have the same characteristics as the original part. Unauthorized substitutions may result in fire, electric shock, or other hazards.
20. **Safety Check** - Upon completion of any service or repairs to this product, ask the service technician to perform safety checks to determine that the product is in proper operating condition.
21. **Wall or Ceiling Mounting** - The product could be mounted to a wall or ceiling only as recommended by the manufacturer.
22. **Heat** - The product should be situated away from heat sources such as radiators, heat registers, stoves, or other objects (including amplifiers) that produce heat.
23. **Nonuse Periods** - Unplug the product's power cord when you will not be using it for an extended period.

# LOCATION OF CONTROLS - UNIT



## LOCATION OF CONTROLS - UNIT (cont.)

1. **Detachable Speaker (L)**
2. **Insert**
3. **CD Door OPEN/CLOSE Button**  
Open or close the CD door
4. **CD/TUNING/CLOCK Hour Setting Button**  
-CD-Skip/search backward  
-TUNER-Backward tuning or station search  
-Clock or Timer-Select the hour
5. **CD Door**
6. **Volume UP Button (+)**  
To increase volume
7. **LCD Display**  
Shows the operating status in all modes
8. **CD/TUNER/CLOCK Minute Setting Button**  
-CD-Skip/search forward  
-TUNER-Forward tuning or station search  
-Clock or Timer-Select the minute
9. **POWER ON/STANDBY Button**  
Switches the system on or off (The indicator lights while on standby)
10. **Remote Control Sensor**
11. **Insert**
12. **Detachable Speaker (R)**
13. **Surround Indicator**
14. **SURROUND ON/OFF Button**  
Press to turn the surround sound ON or OFF. The indicator lights while surround is ON
15. **DYNAMICBASS Button**  
Press for a rich bass sound
16. **AUX Button**  
To activate operating mode AUX
17. **ST/MO Button**  
To select Stereo or Mono in TUNER FM mode
18. **PRESET ▼ Button**  
Retrieve preset radio stations (backward)
19. **PRESET ▲ Button**  
Retrieve preset radio stations (forward)
20. **BLUE COLOR RING**  
Flashes when CD door is open
21. **Volume DOWN Button (-)**  
To decrease volume
22. **Pedestal**  
Angle adjustable

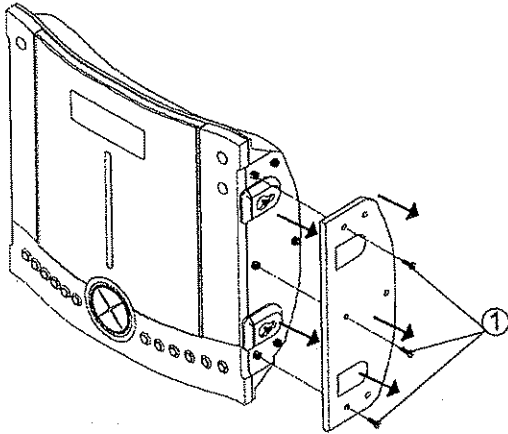


## LOCATION OF CONTROLS - UNIT (cont.)

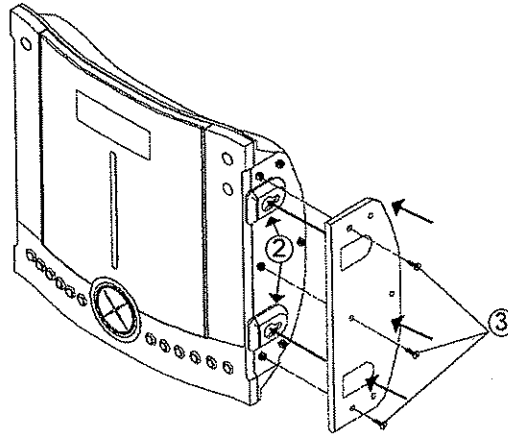
- 23. STOP Button**  
Interrupting the CD playback/Cleaning the CD program
- 24. PLAY/PAUSE Button**  
To start CD playback/Short interruption of CD playback
- 25. PROG Button**  
Tuner/CD program button/Clock setting button
- 26. TUNER/BAND Button**  
Sets to tuner (radio) mode and selects the AM or FM band
- 27. DISPLAY BACK LIGHT ON/OFF Button**  
To select display back light on/off
- 28. AUX IN Jack (3.5mm)**  
AUX in while in AUX select mode
- 29. AUX OUT Socket (L)**
- 30. AUX OUT Socket (R)**
- 31. FM Antenna**  
Note - Do not connect to external antenna
- 32. HEADPHONE Jack (3.5mm)**  
Connect a pair of stereo headphones (not supplied) for private listening
- 33. Speaker Terminal**  
For connection of detachable speakers (L & R)
- 34. Subwoofer Jack**  
For connection to a subwoofer
- 35. AC Input Socket**  
To connect the AC cord plug into the socket
- 36. Battery Cover/Compartment**  
For tuner and clock memory back-up (1.5V x 2 "AAA" Batteries)
- 37. AM Antenna**  
AM antenna connection socket (for the frame antenna included in the accessories)

## INSTALLATION (Speakers and Decorative Insert)

### DISASSEMBLE AND FIX THE DECORATIVE INSERT



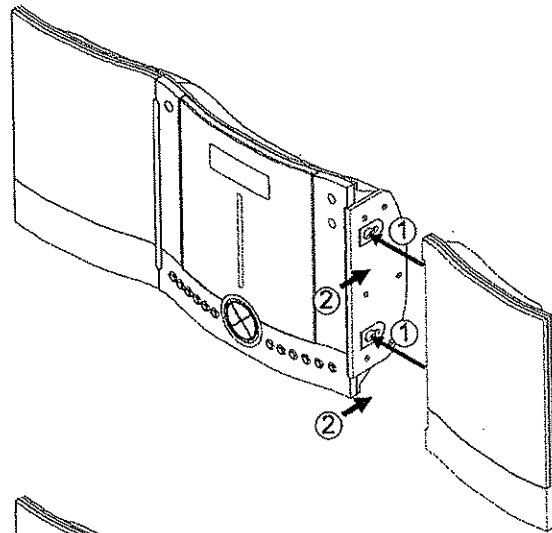
To remove the insert, release 3 pcs screws (1), then pull out the insert from the main unit.



To fix the insert, place it with two holes into main unit speaker holder (2), then fix it by 3 pcs screws (3).

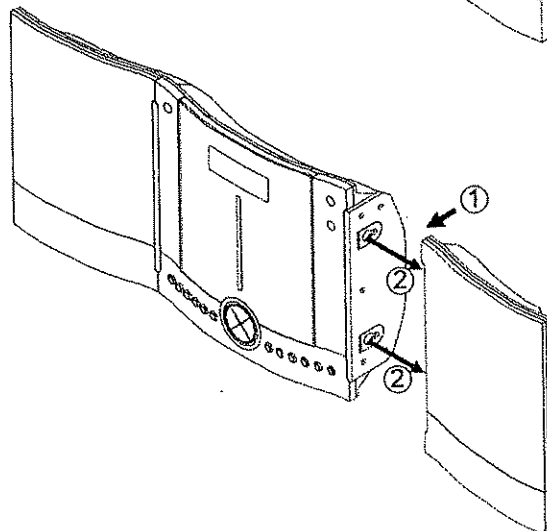
### PLACE AND FIX THE SPEAKER

- Insert the speaker stud into the hole of the main unit (1).
- Push the speaker backward to the end until it clicks (2).



### DISASSEMBLE THE SPEAKER

- Push the speaker forward from the back side (1).
- Release the speaker from the main unit speaker holder (2).

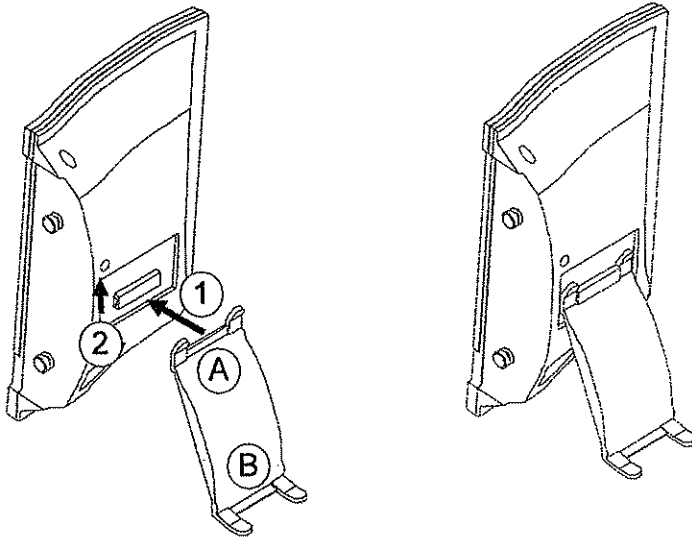


## ANGLE ADJUSTMENT (Speakers)

Used to connect the bracket (included) to set the speaker box on an angle.

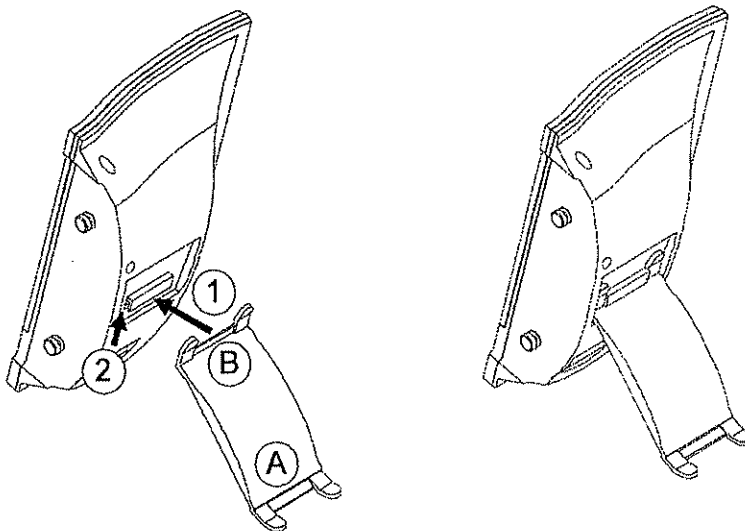
### VERTICAL ANGLE

Insert the bracket with (A) side and push upward to adjust for vertical angle.



### TILT ANGLE

Insert the bracket with (B) side and push upward to adjust for desired angle.



## ANGLE ADJUSTMENT (Main Unit)

### STEP 1

1. Disassemble the pedestal by releasing two screws from the main unit, if not pre-done at the factory.

### STEP 2

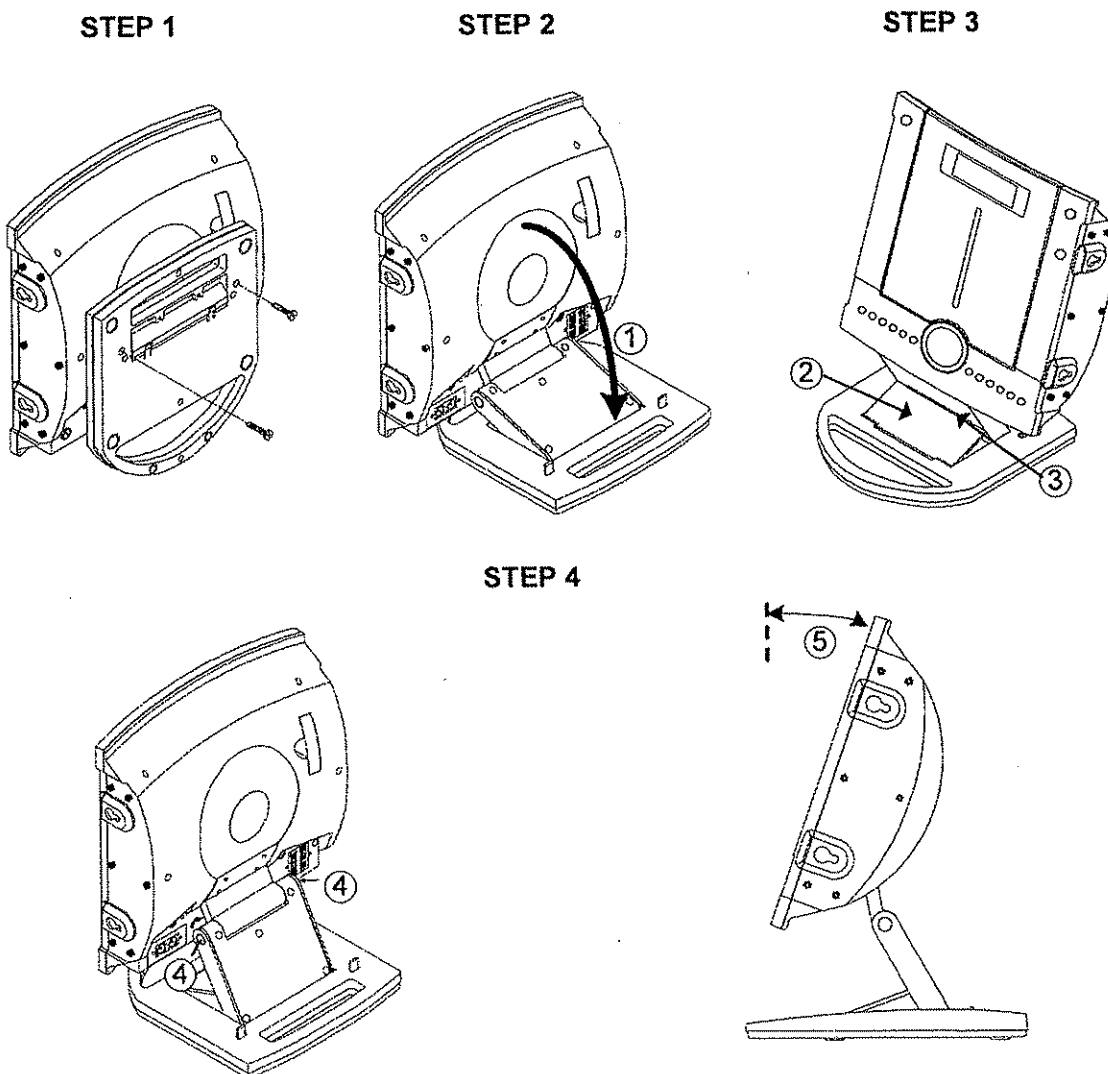
2. Pull down the pedestal (1).

### STEP 3

3. Lift the unit and put the plastic supporter insert (2) into the pedestal slot position (3).

### STEP 4

1. Press left and right stud (4) inward and select your desired angle (5) at same time.
2. Release left and right stud (4), the adjusted angle is secured.

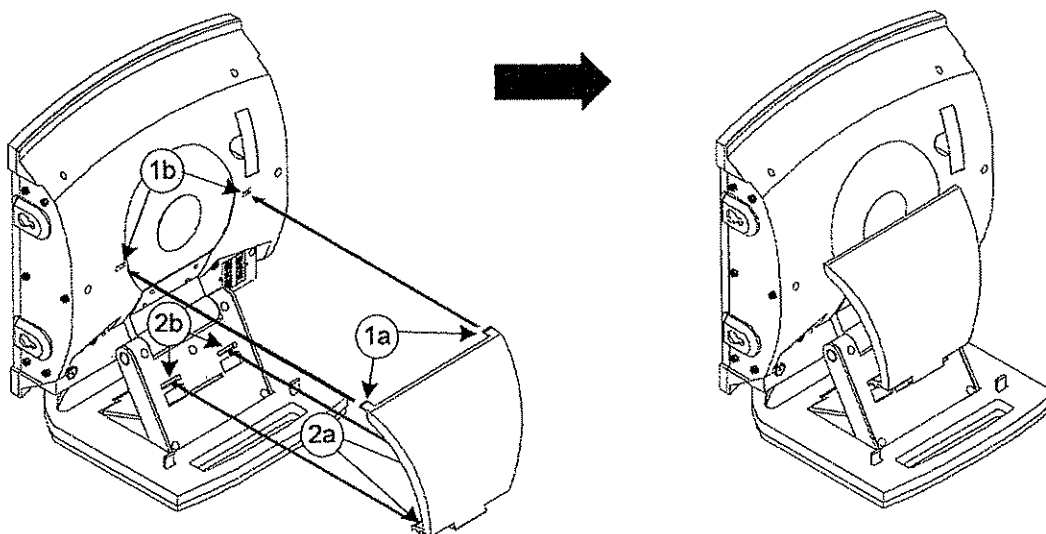


## ANGLE ADJUSTMENT (Cont. - Main Unit)

Used to connect the bracket (included) to stabilize the main unit standing angles.

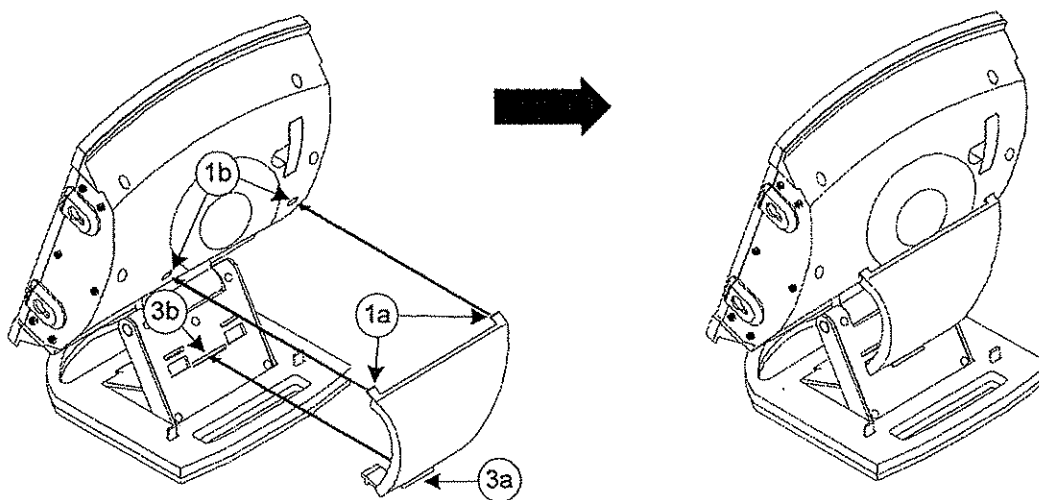
### VERTICAL ANGLE

1. Insert the bracket (1a) to main unit rear slot (1b).
2. Insert the bracket (2a) to main unit rear slot (2b).



### SLANTED ANGLE

1. Follow STEP 4, press the studs (4) to adjust the angle and release to lock into position.
2. Insert the bracket (1a) to main unit rear slot (1b).
3. Insert the bracket (3a) to main unit rear slot (3b).



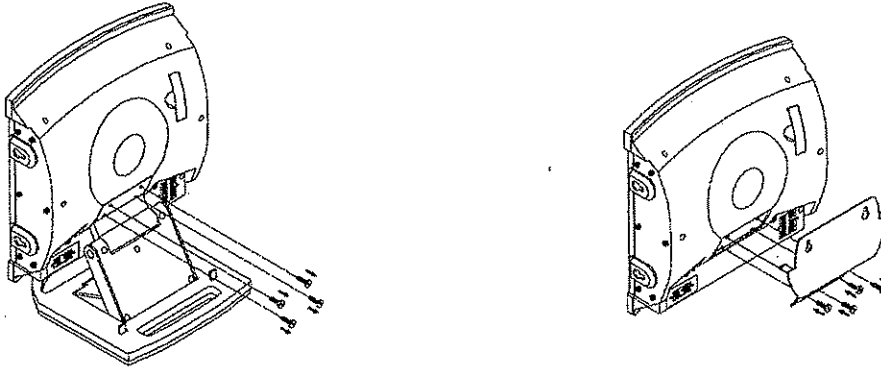
## INSTALLATION (Wall Mounting)

### Installation options:

- Wall mount
- One or both speakers attached or detached

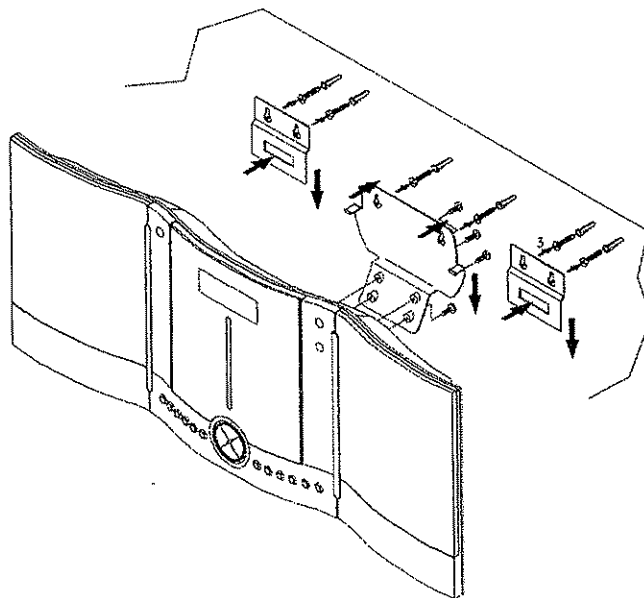
### To replace the center section wall mount bracket:

- Disassemble the pedestal on the unit by releasing 4 pcs screws as FIG. 1.
- Assemble wall mount bracket by attaching 4 pcs screws FIG. 2.



### To mount the center section on the wall:

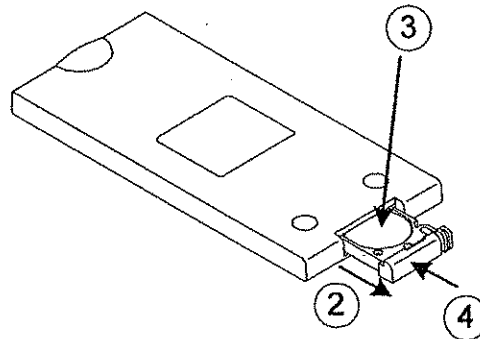
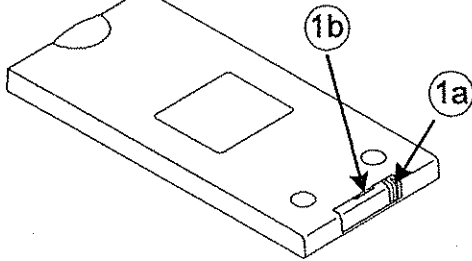
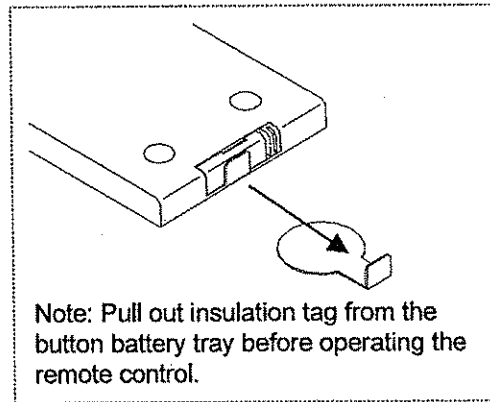
- Position the bracket (supplied) on the wall (as show below) where you want to hang the center unit. Drill 2 holes slightly undersized for a firm fit.
- Secure the bracket on the wall using 2 dowels and 2 screws (supplied).
- The mounting screws should be anchored into solid wall support, such as wood frame or concrete wall. Mount the center unit onto the wall bracket.
- Make sure the mounting tab on the center unit fits securely into the mounting slot on the wall bracket.
- Screws and plastic dowels are also provided for speakers if they are to be wall-mounted away from the center section.



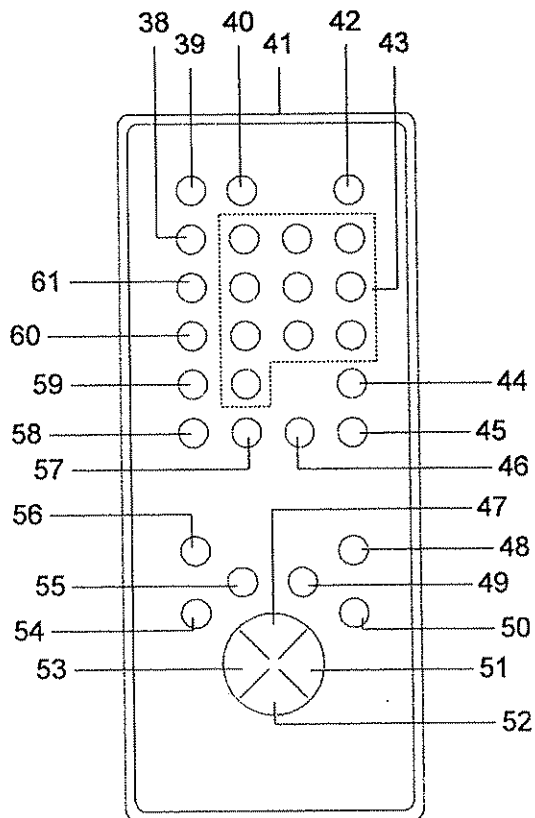
## REMOTE CONTROL

### Battery Installation

1. Remove the battery tray by pressing point (1a) inside, then sliding point (1b) area at the same time.
2. Pull out the battery tray.
3. Install or replace the button-type battery "CR2032" (supplied).
4. Close the battery tray.



## LOCATION OF CONTROLS - REMOTE CONTROL

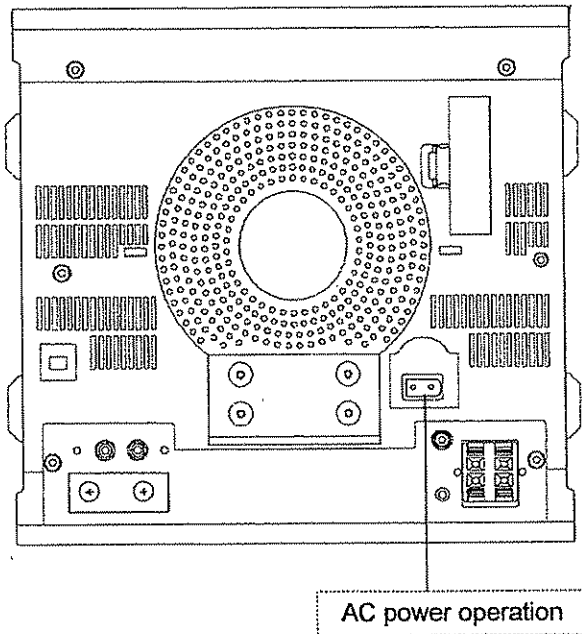


## LOCATION OF CONTROLS - REMOTE CONTROL (Cont.)

38. **MUTE Button**  
To mute the sound
39. **CD Door OPEN/CLOSE Button**  
Press to open or close the CD door
40. **TIMER/SUREWAKE Button**  
To activate/deactivate the timer/  
surewake
41. **Remote Control Transmitter**
42. **POWER ON/STANDBY Button**  
Switches the system on or off
43. **1 - 9, 0/+10 NUMERIC Buttons**  
Tuner: To recall preset stations  
CD: To recall tracks
44. **REPEAT Button**  
Repeat 1/ALL function for CD mode
45. **INTRO Button**  
Plays 10 seconds of each CD track
46. **RANDOM Button**  
CD play in random sequence
47. **Volume UP Button ( + )**  
To increase volume
48. **DYNAMICBASS Button**  
Press for a rich bass sound
49. **PLAY/PAUSE ►|| Button**  
To start CD playback/short interruption  
of CD playback
50. **EQ Button**  
To select " PASS, CLASSIC, ROCK,  
POP and JAZZ" for desired sound  
effect
51. **SKIP Forward ►► Button**  
-CD-Skip/search forward  
-TUNER-Forward tuning or station  
search  
-Clock or Timer-Select the minute
52. **Volume DOWN Button ( - )**  
To decrease volume
53. **SKIP Backward ◀◀ Button**  
-CD-Skip/search backward  
-TUNER-Backward tuning or station  
search  
-Clock or Timer-Select the hour
54. **PRESET ▼ Button**  
Activating of programmed transmitting  
stations (backward)
55. **STOP ■ Button**  
Interrupting the CD playback/clearing  
the CD program
56. **PRESET ▲ Button**  
Activating of programmed transmitting  
stations (forward)
57. **PGM Button**  
Tuner/CD program button/Clock  
setting button
58. **ST/MO Button**  
To select Stereo or Mono in TUNER  
FM mode
59. **SLEEP Button**  
Press for sleep to music function
60. **TUNER/BAND Button**  
Sets to tuner (radio) mode and selects  
the AM or FM band
61. **SOURCE Button**  
To select "CD, TUNER, AUX" mode



## POWER SUPPLY



Take the cord out and connect it.



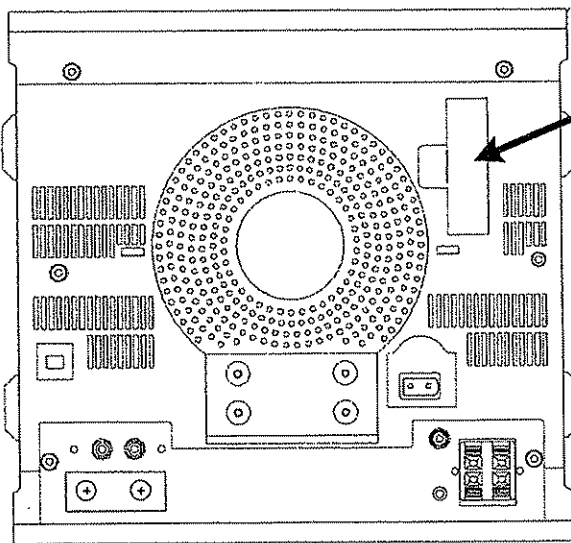
### NOTE:

This unit is equipped with a polarized plug. If you have difficulty inserting the plug, turn it over and reinsert it.

### CAUTION:

TO PREVENT ELECTRICAL SHOCK, MATCH WIDE BLADE OF PLUG TO WIDE SLOT, FULLY INSERT.

## BATTERY SUPPLY (For Tuner/Clock Memory Back-up)



Install batteries (not supplied).  
Observe + and - signs.

*Remember to replace the battery  
compartment lid  
2 "AAA" size batteries*

### CAUTION:

#### WHEN INSTALLING BATTERIES

To prevent leakage from the batteries, which are corrosive and can cause personal injury and damage to the unit, observe the following precautions:

1. The batteries must be installed correctly. Match the polarities (+ and - signs) on the batteries, to the polarities shown on the battery compartment of the unit (see above).
2. Do not mix new batteries with old or used batteries.
3. Only use batteries of the same type and brand.
4. If the unit will not be used for an extended period of time, remove the batteries and store them in a cool place.
5. Carefully follow the battery manufacturer's instructions for proper use and disposal.
6. **DO NOT ALLOW YOUNG CHILDREN TO HANDLE BATTERIES.**

### IMPORTANT NOTE:

**SPENT OR DISCHARGED BATTERIES MUST BE RECYCLED OR DISPOSED OF PROPERLY IN COMPLIANCE WITH ALL APPLICABLE LAWS. FOR DETAILED INFORMATION, CONTACT YOUR LOCAL COUNTRY SOLID WASTE AUTHORITY.**

# OPERATING INSTRUCTIONS

## POWER ON/OFF

When the AC power is connected, "-- : --" shows on the LCD display.

1. Press the POWER button to turn the unit 'ON'.

Note: The LCD display lights up and "HELLO" greeting shows on display, the STANDBY LED light goes off. Volume at 15 (max 30).

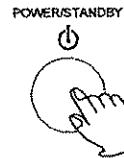


2. You can now select your desired music source by pressing one of the function buttons: TUNER/BAND or CD PLAY/PAUSE or AUX.

Example : FM mode



3. To switch to POWER OFF, press the POWER button to turn the unit 'OFF'. "GOOD BYE" appears on display, then the LCD display back lit goes off. The STANDBY LED lights.



NOTE: Please turn off the unit to standby mode before disconnecting main power supply from the unit.

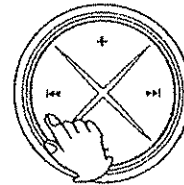
## SETTING THE TIME

When the unit is first connected to an AC power outlet, the display shows "-- : --". To set the clock to the current time proceed as follows:

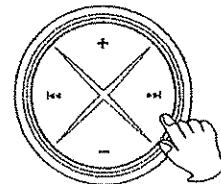
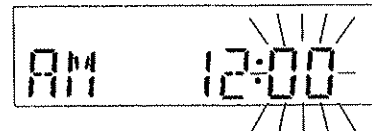
1. In off mode, press and hold the PROG button for 2 seconds, the hour digits begin to flash.



2. Press the SKIP Backward button to adjust the hour. Be sure to set the hour correctly for AM or PM.



3. Press the SKIP Forward button to adjust the minute.



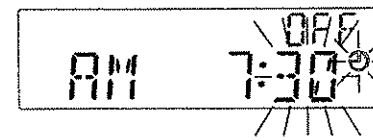
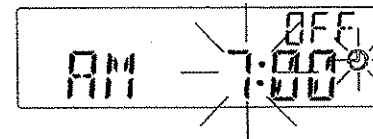
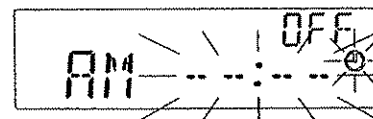
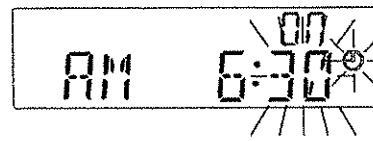
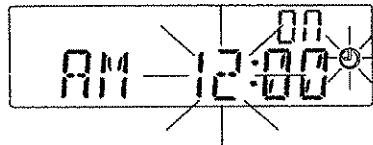
4. Press the PROG button once more, the display stops flashing and the clock begins to run.



## TIMER ON/OFF SETTING

NOTE: The clock should be adjusted before the Timer On/Off setting.

1. Press the TIMER button on remote control once, the TIMER ON indicator and hour digit begin to flash.
2. Press the SKIP backward button to adjust the hour. Be sure to set the hour correctly for AM or PM.
3. Press the SKIP forward button to adjust the minute. Be sure to set the hour correctly for AM or PM.
4. Press the TIMER button on remote control again, the TIMER OFF indicator and "--:--" begin to flash.
5. Press the SKIP backward button to adjust the hour. Be sure to set the hour for correctly for AM or PM.
6. Press the SKIP forward button to adjust the minute.



7. Press the TIMER button on remote control once more, then the Timer On and Off adjustment is finished with the "⊙" display remaining ON.

Note: Timer function with **SUREWAKE** starts the music quietly and then increases the volume to room level to make sure you are awake.

To cancel the Timer On setting, press TIMER button on remote control until "⊙" display goes off.

Note : To turn off the set while timer is on, press POWER button.

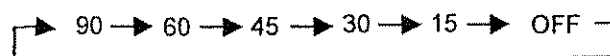
## SETTING THE SLEEP

Pressing SLEEP button on remote control permits settings from 15 minutes to 90 minutes. When the desired time appears, releasing your finger will set the time.

(Pressing "SLEEP" after the 90-minute position will cancel the sleep timer)



### Change of SLEEP Setting



## BASIC OPERATION

### Electronic volume control

Electronic volume control display



1. Press VOL-DOWN (-) button to adjust sound level down, the volume level (00 - 30) will be shown in the LCD display.
2. Holding down the button will result in continuous decrease of the volume.
3. Similarly, press VOL-UP (+) button to increase the volume.

### Muting Function

If the MUTE button is pressed, the audio output will be muted, and the current display begins to flashing.



Pressed the MUTE button again to resume.

Cancel Muting



## BASSXPANDER Control

Press the BASSXPANDER button to get the rich bass sound.

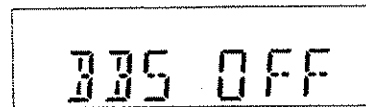
Note: Display will recall most recent setting when you first press BASSXPANDER button.

BASSXPANDER shows on display



To cancel the BASSXPANDER function, press the button once more.

BASSXPANDER shows on display

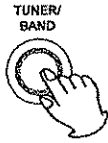


## PRESET EQUALIZATION

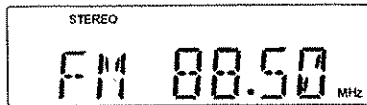
Press the EQ button on remote control repeatedly to cycle through the preset EQ showing on the LCD display – PASS, CLASSIC, ROCK, POP and JAZZ.

## LISTENING TO THE RADIO

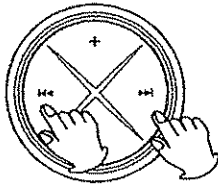
1. Press the POWER button to turn the system 'ON'.
2. Press the TUNER/BAND button to select the radio function.



Example : FM mode



3. Press the TUNER/BAND button repeatedly to select AM or FM band.
4. Press the SKIP forward or backward buttons to tune to the desired station.



**Auto tuning** - Press the TUNING forward or backward buttons momentarily and release. The tuner will move up or down to the next available station.

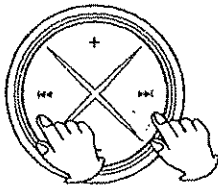
**Manual Tuning** - Press and hold the SKIP forward/backward buttons until the display approaches your desired station. Then tap the buttons repeatedly until the display shows the exact frequency.

5. When finished listening, press the POWER button to shut the system OFF.

Note: For AM reception, plug the accompanying frame antenna into the AM ANT jack. Then adjust the frame antenna until it is in position with the best reception.

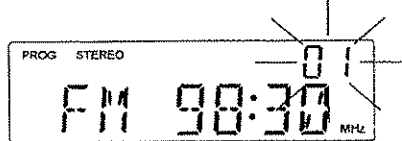
## STORING PRESET STATIONS

1. Tune to the station you wish to store.

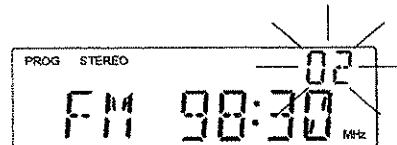
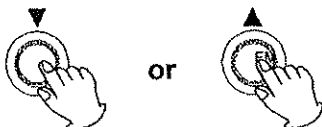


The unit enables you to program 10 stations of FM and 10 stations of AM band.

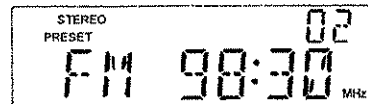
2. Press the PROG button once.



3. Press the PRESET button repeatedly to set the desired preset station number.



4. Press the PROG button again. The station is stored.




5. To store other stations, repeat above steps.

## RECALLING PRESET STATION

Press the PRESET ▼▲ buttons to select the desired station.

**PLAYING COMPACT DISCS**

1. Switch on the power and press the PLAY/PAUSE button  to select the CD mode.
2. If there is no CD inside, a "DISC" display will appear.

When there is no disc



**Loading a disc**

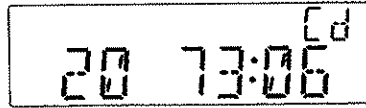
1. Press the CD DOOR OPEN/CLOSE button to open the CD door.



2. To load a disc, simply put the disc onto the center spindle of the player and then press the CD DOOR OPEN/CLOSE button again to close the CD door. After that, reading TOC will start.

Ensure that the disc is correctly mounted on the spindle and locked in place.

After reading TOC



The display will show the total number of tracks and the playing time of the disc.

Playing the disc (  )

Press PLAY/PAUSE button to play the CD.

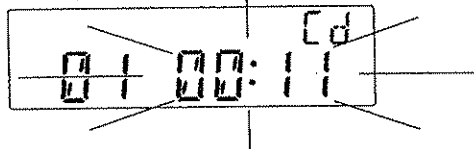
Playing track 1



Pause the playing (  )

Press PLAY/PAUSE button while the disc is playing, the playing time will flash.

While paused

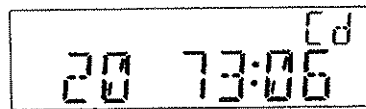


Press PLAY/PAUSE button again to resume.

Stopping the disc

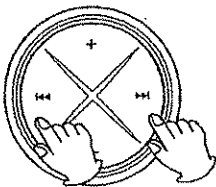
Press STOP (  )



Stop condition (TOC display)



**Skip and Search Function**

Press the SKIP forward or backward buttons momentarily during play mode or stop mode.



	IN PLAY MODE		IN STOP MODE
	PRESS ONCE	PRESS TWICE	PRESS ONCE
	BACK TO THE BEGINNING OF THE CURRENT TRACK	PREVIOUS TRACK	PREVIOUS TRACK
	NEXT TRACK		NEXT TRACK

Press and hold the SKIP button during playback:



: FAST BACKWARD



: FAST FORWARD

### To repeat a track or disc

Press REPEAT button on remote control one time, "one track repeat" will be active. "REPEAT 1" shows on display.

One track repeat



With one more press, "all track repeat" will be active. "REPEAT ALL" shows on display.

All track repeat



With one further press, the repeat mode is cancelled.

### Random play function

Press RANDOM button on remote control during CD play or stop mode to start random play. Pressing once again will cancel the function.

Random playing start



Note: Random play cannot operate while playing programmed tracks.

### Intro play function

In the stop condition, press the INTRO button to start the intro playing. After that the first 10 seconds of each song will be played. If the INTRO button is pressed again, the CD will change to normal playing mode.

Intro playing



### PROGRAMMED PLAYBACK

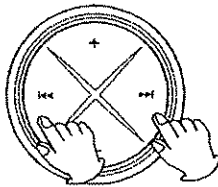
The CD player enables you to program up to 64 tracks in a sequence of your choice. First select CD stop mode.

1. Press the PROG button one time.

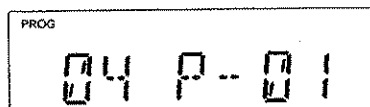
Program input mode



2. Press the SKIP forward or backward buttons to select the desired track to be programmed. For example:



Choose track 4



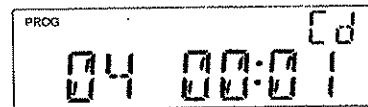
3. Press PROG button again; then track 4 is stored.

4. Continue to program, repeat steps 2 and 3.

### Reviewing programs

Press the PROG button repeatedly. The track number programmed on each program number will be displayed.

5. Press PLAY/PAUSE button to play the program tracks.



Note: If the program function has stopped, press the PROG button and then press the PLAY/PAUSE button, the program play will start.

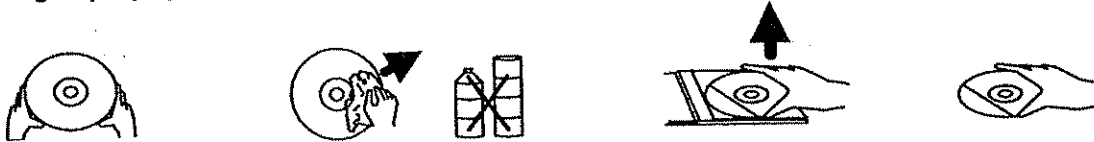
### Clear the program

In stop mode, press the PROG button one time and then press the STOP button. The preset programs will be cancelled.

## CARE AND MAINTENANCE

### COMPACT DISC CARE

- Treat the disc carefully. Handle the disc only by its edges. Never allow your fingers to come in contact with the shiny, unprinted side of the disc.
- Do not attach adhesive tape, stickers etc., to the disc label.
- Clean the disc periodically with a soft, lint-free, dry cloth. Never use detergents or adhesive cleaners to clean the disc. If necessary, use a CD cleaning kit.
- If disc skips or gets stuck on a section of the disc, it is probably dirty or damaged (scratched).
- When cleaning the disc, wipe in straight lines from the centre of the disc to the edge of the disc. Never wipe in circular motions.
- To remove a disc from its storage case, press down on the centre of the case and lift the disc out, holding it carefully by the edges.
- Fingerprints and dust should be carefully wiped off the disc's recorded surface with a soft cloth. Unlike conventional records, compact discs have no grooves to collect dust and microscopic debris so gently wiping with a soft cloth should remove most particles.



### CLEANING THE UNIT

- To prevent fire or shock hazard, disconnect your unit from the AC power source when cleaning.
- The finish on the unit may be cleaned with a dust cloth and cared for as other furniture. Use caution when cleaning and wiping the plastic parts.
- If the cabinets become dusty, wipe them with a soft dry dust cloth. Do not use any wax or polish sprays on the cabinets.
- If the front panel becomes dirty or smudged with fingerprints it may be cleaned with a soft cloth slightly dampened with a mild soap and water solution. Never use abrasive cloths or polishes as these will mar the finish of your unit.

Caution: never allow any water or other liquids to get inside the unit while cleaning.



## TROUBLESHOOTING GUIDE

Should this unit exhibit a problem, check the following before seeking service.

Symptom	Possible cause	Solution
<b>Radio</b>		
Noise or sound distorted on AM or FM broadcasts.	Station not tuned properly for AM or FM	Retune the AM or FM broadcast station.
	FM: Antenna wire is not extended.	Extend FM antenna wire.
	AM: Unit is not positioned correctly.	Rotate unit until best reception is obtained.
FM STEREO indicator does not light	FM MODE button is set to MONO position.	Set FM MODE to FM STEREO position.
AM or FM, no sound.	TUNER Function button is not pressed.	Press TUNER function button.
	Volume at minimum	Increase Volume.

### Compact Disc Player

CD Player will not play.	CD Function button is not pressed.	Press the CD Function button.
	CD is not installed or installed incorrectly.	Insert CD with label side out.
CD skips while playing.	Disc is dirty or scratched.	Wipe disc with cloth or use another disc.
Disc is inserted but CD player skips over spot and will not play.	Disc inserted upside down.	Insert disc properly.
	Disc is dirty.	Clean disc.
	Disc is non-standard.	Use correct disc.

## SPECIFICATIONS

AC Power	AC 120V, 60Hz DC 3V (1.5V x 2 "AAA" batteries for tuner and clock memory)	CD Section	Vertical Front Loading CD
Power Output	5 W/CH 10% THD	Speaker System	Woofer: 4", 4 ohm Tweeter: 2", 4 ohm
Dimension of: Main Section	619(W) x 133.7(D) x 281.5(H)mm	Remote Control	32 Keys, Battery size "CR2032" (Battery Included)
Radio section	Tuning : PLL with 20 Presets (FM 10, AM 10) Freq. Range : AM 520-1710KHz FM : 87.5-107.9MHz		

**FISHER STUDIO STANDARD  
MODEL SLIM-1600 LIMITED WARRANTY**

**OBLIGATIONS**

In order to obtain factory warranty service, call the toll-free number below. The unit must be packed in the original carton or a well padded sturdy carton in order to avoid shipping damage.

**Note:** Do not return this unit to the retail store for service.

To obtain factory warranty service product operation or for problem resolution, call  
**Customer Information 1-800-421-6382**  
**Weekdays 8:00 AM -5:00 PM Pacific Time**

**THIS WARRANTY IS VALID ONLY ON FISHER PRODUCTS PURCHASED AND USED IN THE UNITED STATES OF AMERICA.**

**THIS WARRANTY APPLIES ONLY TO THE ORIGINAL RETAIL USER, AND DOES NOT APPLY TO PRODUCTS USED FOR ANY INDUSTRIAL, PROFESSIONAL OR COMMERCIAL PURPOSE. THE ORIGINAL DATED BILL OF SALE OR SALES SLIP MUST BE SUBMITTED AT THE TIME WARRANTY SERVICE IS REQUESTED.**

Subject to the OBLIGATIONS above and EXCLUSIONS below, SANYO FISHER COMPANY (SFC) warrants this FISHER product against defects in materials and workmanship for the periods of LABOR and PARTS specified below. SFC will repair or replace (at its option) the product and any of its parts which fail to conform to this warranty with new or reconditioned products or parts.

This warranty period commences on the date the product was first purchased at retail.

<b>LABOR</b>	<b>PARTS</b>
<b>90 DAYS</b>	<b>90 DAYS</b>

**EXCLUSIONS**

This warranty does not cover (A) the adjustment of customer-operated controls as explained in the appropriate model's instruction manual, or (B) the repair of any product whose serial number has been altered, defaced or removed.

This warranty shall not apply to the cabinet or cosmetic parts, antenna, knobs, batteries or routine maintenance.

This warranty does not apply to uncrating, setup, installation, removal of the product for repair or reinstallation of the product after repair.

This warranty does not apply to repairs or replacements necessitated by any cause beyond the control of SFC including, but not limited to, any malfunction, defect or failure caused by or resulting from unauthorized service or parts, improper maintenance, operation contrary to furnished instructions, shipping or transit accidents, modification or repair by the user, abuse, misuse, neglect, accident, incorrect power line voltage, fire, flood or other Acts of God, or normal wear and tear.

The foregoing is in lieu of all other expressed warranties and SFC does not assume or authorize any party to assume for it any other obligation or liability.

THE DURATION OF ANY WARRANTIES WHICH MAY BE IMPLIED BY LAW (INCLUDING THE WARRANTIES OF MERCHANTABILITY AND FITNESS) IS LIMITED TO THE TERM OF THIS WARRANTY. IN NO EVENT SHALL SFC BE LIABLE FOR SPECIAL, INCIDENTAL OR CONSEQUENTIAL DAMAGES ARISING FROM OWNERSHIP OR USE OF THIS PRODUCT, OR FOR ANY DELAY IN THE PERFORMANCE OF ITS OBLIGATIONS UNDER THIS WARRANTY DUE TO CAUSES BEYOND ITS CONTROL.

SOME STATES DO NOT ALLOW LIMITATIONS ON HOW LONG AN IMPLIED WARRANTY LASTS AND/OR DO NOT ALLOW THE EXCLUSION OR LIMITATION OF CONSEQUENTIAL DAMAGES, SO THE ABOVE LIMITATIONS AND EXCLUSIONS MAY NOT APPLY TO YOU. THIS WARRANTY GIVES YOU SPECIFIC LEGAL RIGHTS. YOU MAY HAVE OTHER RIGHTS, WHICH VARY FROM STATE TO STATE.

For your protection in the event of theft or loss of this product, please fill in the information below for your own personal records.

Model No. \_\_\_\_\_ Serial No. \_\_\_\_\_  
(Located on back or bottom side of unit)  
 Date of Purchase \_\_\_\_\_ Purchase Price \_\_\_\_\_  
 Where Purchased \_\_\_\_\_