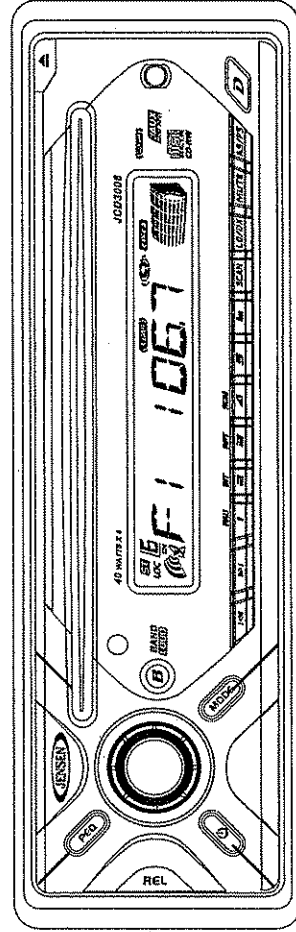




JCD3006

MOBILE CD PLAYER / RECEIVER

Installation and Operation Manual





SAFETY INFORMATION

When Driving

Keep the volume level low enough to be aware of the road and traffic conditions.

When Washing your Vehicle

Do not expose the product to water or excessive moisture. Moisture can cause electrical shorts, fire or other damage.

When Parked

Parking in direct sunlight can produce very high temperatures inside your vehicle. Give the interior a chance to cool down before starting playback.

Use the Proper Power Supply

This product is designed to operate with a 12 volt DC negative ground battery system.

Protect the Disc Mechanism

Avoid inserting any foreign objects into the disc slot. Misuse may cause malfunction or permanent damage due to the precise mechanism of this unit.

CAUTION:

THIS MOBILE CD PLAYER IS A CLASS I LASER PRODUCT. THIS UNIT USES A VISIBLE/INVISIBLE LASER BEAM WHICH COULD CAUSE HAZARDOUS RADIATION IF EXPOSED DIRECTLY. BE SURE TO OPERATE THE MOBILE CD PLAYER AS INSTRUCTED.

USE OF CONTROLS OR ADJUSTMENTS OR PERFORMANCE OR PROCEDURES OTHER THAN THOSE SPECIFIED HEREIN MAY RESULT IN HAZARDOUS RADIATION EXPOSURE.

DO NOT OPEN COVERS AND DO NOT REPAIR BY YOURSELF. PLEASE REFER SERVICING TO A QUALIFIED TECHNICIAN.

WARNING:

- TO REDUCE THE RISK OF FIRE OR ELECTRIC SHOCK, DO NOT EXPOSE THIS EQUIPMENT TO RAIN OR MOISTURE.
- TO REDUCE THE RISK OF FIRE OR ELECTRIC SHOCK AND ANNOYING INTERFERENCE, USE ONLY THE RECOMMENDED ACCESSORIES.
- THIS DEVICE IS INTENDED FOR CONTINUOUS OPERATION.

DISC NOTES

Compatible Disc Types

Table 1: General Disc Information

| Disc Type | Logo | Diameter/ Playable Sides | Playback Time |
|-----------|------|-----------------------------|---------------|
| Audio CD | | 12 cm single side | 74 minutes |

NOTE: CD-R and CD-RW discs will not play unless the recording session is closed and the CD is finalized.

Disc Maintenance

- A dirty or defective disc may cause sound dropouts while playing. Before playing, wipe the disc using a clean cloth, working from the center hole towards the outside edge. Never use benzene, thinners, cleaning fluids, anti-static liquids or any other solvent.

| | | | |
|-----------------------|--------------|---|---|
| | | | |
| Insert label side up. | Do not bend. | Never touch the under side of the disc. | Wipe clean from the center to the edge. |

- Be sure to use only round CDs for this unit and do not use any special shape CDs. Use of special shape CDs may cause the unit to malfunction.
- Do not stick paper or tape on the disc. Do not use CDs with labels or stickers attached or that have sticky residue from removed stickers.
- Do not expose discs to direct sunlight or heat sources such as hot air-ducts, or leave them in a vehicle parked in direct sunlight where there can be a considerable rise in temperature inside the vehicle.

NOTE: A disc may become scratched (although not enough to make it unusable) depending on how you handle it and other conditions in the usage environment. These scratches are not an indication of a problem with the player.

INSTALLATION

Before You Begin

1. **Disconnect Battery**
Before you begin, always disconnect the battery negative terminal.
2. **Remove Transport Screws**

Important Notes

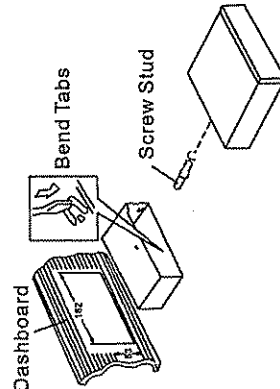
- Before final installation, test the wiring connections to make sure the unit is connected properly and the system works.
- Use only the parts included with the unit to ensure proper installation. The use of unauthorized parts can cause malfunctions.
- Consult with your nearest dealer if installation requires the drilling of holes or other modifications to your vehicle.
- Install the unit where it does not interfere with driving and cannot injure passengers if there is a sudden or emergency stop.
- If the installation angle exceeds 30° from horizontal, the unit might not give optimum performance.
- Avoid installing the unit where it will be subject to high temperatures from direct sunlight, hot air, or from a heater, or where it would be subject to excessive dust, dirt or vibration.
- Be sure to remove the control panel before installing the unit.

DIN Front/Rear Mount

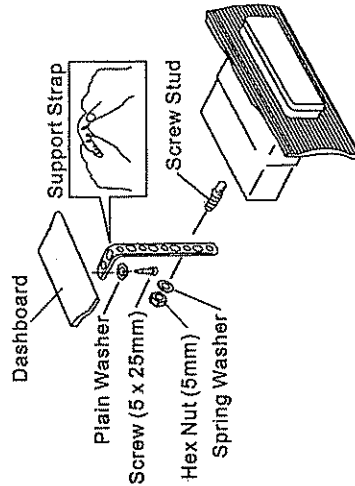
This unit can be properly installed with either a "Front" (conventional DIN front mount) or "Rear" (DIN rear mount) installation, utilizing threaded screw holes at the sides of the unit chassis) mount. For details, refer to installation methods A and B.

DIN Front Mount (Method A)

1. Remove the detachable front panel, if it is attached to the chassis, by pushing the REL button.
2. Slide the mounting sleeve off of the chassis if it has not already been removed. If it is locked into position, use the removal keys (supplied) to disengage it. The removal keys are depicted in "Removing the Unit" on page 3.
3. Check the dashboard opening size by sliding the mounting sleeve into it. If the opening is not large enough, carefully cut or file as necessary until the sleeve easily slides into the opening. Do not force the sleeve into the opening or cause it to bend or bow. Check that there will be sufficient space behind the dashboard for the radio chassis.
4. Locate the series of bend tabs along the top, bottom and sides of the mounting sleeve. With the sleeve fully inserted into the dashboard opening, bend as many of the tabs outward as necessary to firmly secure the sleeve to the dashboard.
5. Place the radio in front of the dashboard opening so the wiring can be brought through the mounting sleeve.
6. Follow the wiring diagram carefully and make certain all connections are secure and insulated with crimp connectors or electrical tape to ensure proper operation.



7. After completing the wiring connections, attach the front panel and turn the unit on to confirm operation (vehicle ignition switch must be on). If the unit does not operate, recheck all wiring until the problem is corrected. Once proper operation is achieved, turn the ignition switch off and proceed with final mounting of the chassis.
8. Carefully slide the radio into the mounting sleeve making sure it is right-side-up until it is fully seated and the spring clips lock it into place.
9. Attach one end of the perforated support strap



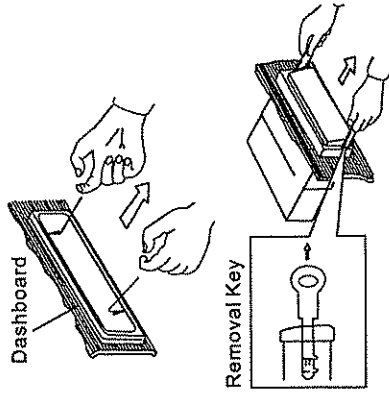
10. Attach the front panel to the chassis and test radio operation by referring to the operating instructions for the unit.

of the radio or improper operation due to vibration.

Removing the Unit

To remove the radio after installation:

1. Insert fingers into the groove in the front of frame and pull out to remove the frame. (When re-attaching the frame, point the side with a groove downwards and re-attach.)
2. Insert the removal keys straight back until they click, and then pull the radio out. If removal keys are inserted at an angle, they will not lock properly to release the unit.



Trim Plate Installation

Push the trim plate against the chassis until it is fitted. You must do this before you install the control panel, otherwise it can't be attached.

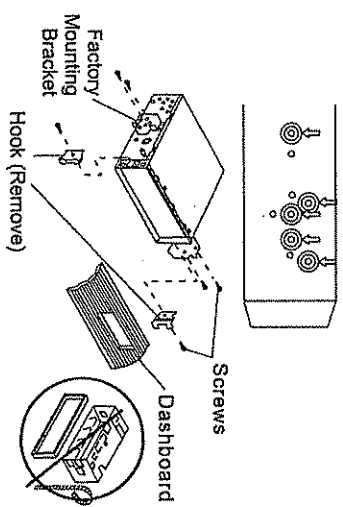
DIN Rear Mount (Method B)

This unit has threaded holes in the chassis side panels which may be used with the original factory mounting brackets of some vehicles to mount the radio to the dashboard. Please consult with your local mobile stereo shop for assistance on this type of installation.

1. Remove the existing factory radio from the dashboard or center console mounting. Save all hardware and brackets as they will be used to mount the new radio.



2. Carefully unsnap the plastic trim ring from the front of the new radio chassis. Remove and discard the trim ring.
3. Remove the factory mounting brackets and hardware from the existing radio and attach them to the new radio. Select a position where the screw holes of the bracket and the screw holes of the main unit are aligned (are fitted). Tighten the screws at 2 places on each side. Do not exceed M5 x 9 MM maximum screw size. Longer screws may damage components inside the chassis.
4. Wire the new radio to the vehicle as outlined in the Universal Installation instructions.
5. Mount the new radio assembly to the dashboard or center console using the reverse procedure of step 1.



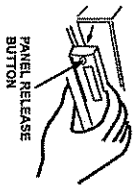
NOTE: The mounting box, outer trim ring, and half-sleeve are not used for method B installation.

Reconnect Battery

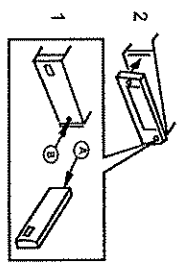
When wiring is complete, reconnect the battery negative terminal.

Detachable Control Panel (DCP)

1. Turn the power off.
2. Press the REL. button.
3. Remove the DCP.



1. Attach the panel at the right side first, with point B on the main unit touching point A on the DCP (as shown in the diagram).
2. Press the left side of the DCP onto the main unit until a "click" is heard.



CAUTION: DO NOT insert the DCP from the left side. Doing so may damage it.

- The DCP can easily be damaged if dropped or subjected to a strong shock. When the release button is pressed and the DCP is unlocked, the vehicle's vibrations may cause it to fall. To prevent damage to the DCP, always store it in a protective case after detaching it.
- The rear connector that connects the main unit and the DCP is an extremely important part. Be careful not to damage it by pressing on it with fingernails, pens, screwdrivers, etc. If the DCP is dirty, remove debris with a soft, dry cloth only. You can use a cotton swab soaked in isopropyl alcohol to clean the socket on the back of the DCP.

WIRING

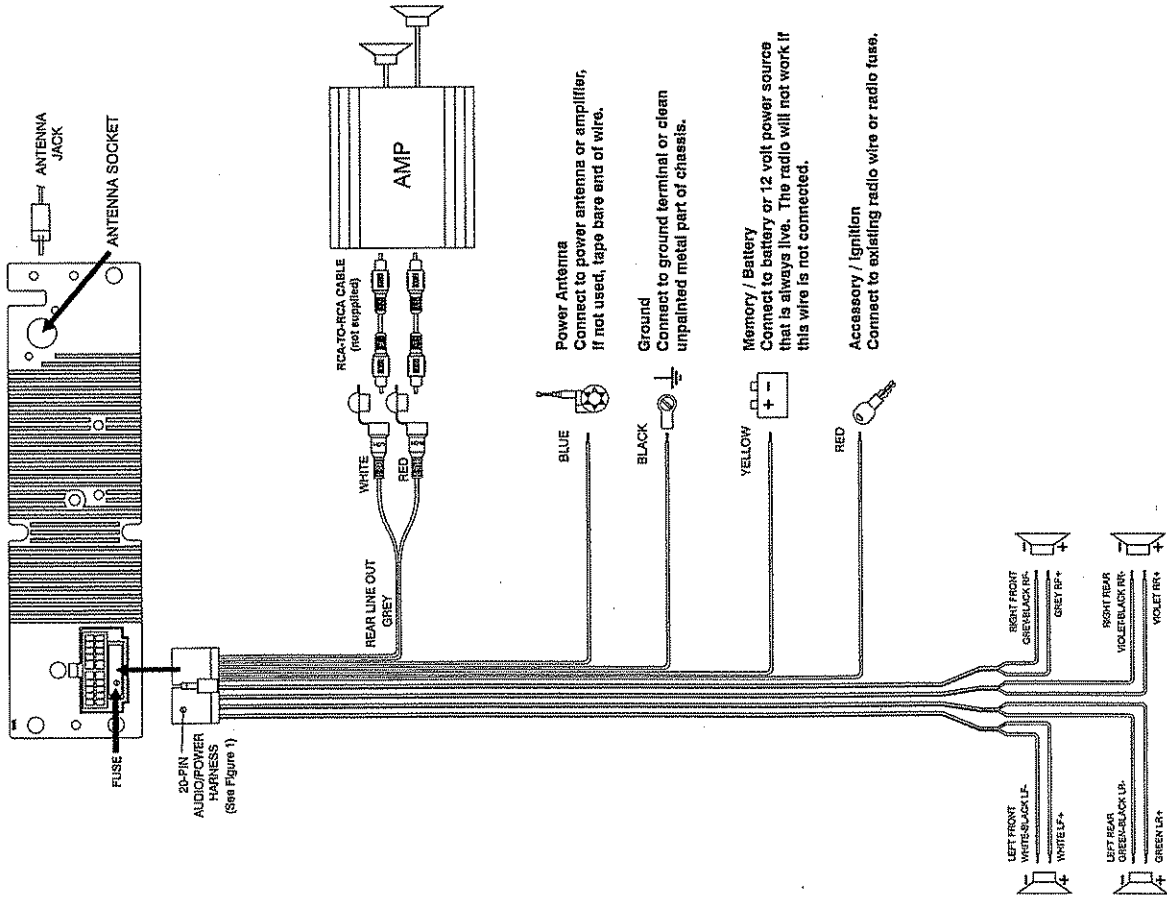
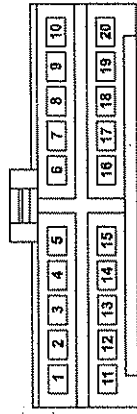


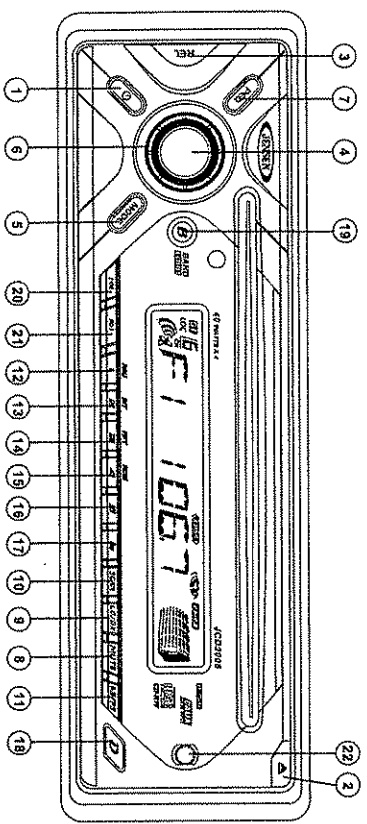
Figure 1: 20 PIN HARNESS PIN CHART



| PIN | WIRE COLOR | FUNCTION / LABEL |
|-----|---------------|------------------------------------|
| 1 | GREY / BLACK | RIGHT FRONT SPEAKER (-) |
| 2 | GREY | RIGHT FRONT SPEAKER (+) |
| 3 | VIOLET | RIGHT REAR SPEAKER (+) |
| 4 | VIOLET/BLACK | RIGHT REAR SPEAKER (-) |
| 5 | EMPTY | N/A |
| 6 | GREEN | LEFT REAR SPEAKER (+) |
| 7 | GREEN / BLACK | LEFT REAR SPEAKER (-) |
| 8 | RED | IGNITION (ACC) |
| 9 | BLACK | REAR PRE-AMPLIFIER LINE OUT COMMON |
| 10 | RED | RIGHT REAR PRE-AMPLIFIER LINE OUT |
| 11 | WHITE / BLACK | LEFT FRONT SPEAKER (+) |
| 12 | WHITE | LEFT FRONT SPEAKER (-) |
| 13 | EMPTY | N/A |
| 14 | BLUE | POWER ANTENNA |
| 15 | YELLOW | BATTERY (+) |
| 16 | BLACK | CHASSIS GROUND |
| 17 | EMPTY | N/A |
| 18 | EMPTY | N/A |
| 19 | EMPTY | N/A |
| 20 | WHITE | LEFT REAR PRE-AMPLIFIER LINE OUT |



BASIC OPERATION



Control Panel Release (REL)

Press the REL button (3) to release the control panel.

Power On/Off (P)

Press the P button (1) to turn the unit ON or OFF.

Volume Control

To increase the volume, rotate the volume control knob (6) clockwise.

To decrease the volume, rotate the volume control knob counter clockwise.

When the volume is adjusted, the volume level is shown on the display panel as a number ranging from 00 (lowest) to 100 (highest).

Mute

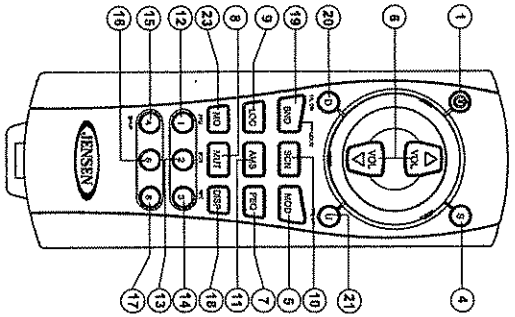
Press the MUTE button (8) on the control panel (or the MUT button on the remote control) to mute the audio output. "Mute" will appear on the display. Press MUTE again to restore the audio output to the previous level.

Mode

Press the MODE button (5) on the control panel (or the MOD button on the remote control) to select a different mode of operation, as indicated on the display panel. Available modes include Radio, CD, and AUX In (optional Auxiliary Input).

Auxiliary Input

1. Connect the external signal to the "Aux In" jack (22) located on the front of the control panel.
2. Press the MODE button to select Aux In mode.
3. Press MODE again to cancel Aux In mode and return to previous mode.



Display (D)

Press the D button (18) on the control panel (or the DISP button on the remote control) to view the clock. The LCD will display the clock for 5 seconds, then return to the previous display mode.

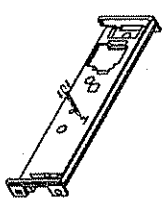
Clock Adjustment

With the clock displayed, press the D button (18) until the LCD flashes. Press the up >| (21) button to adjust the hours or the down |<< button (20) to adjust the minutes. (You can also use the U and D buttons on the remote control to set the hour and minutes.)

Reset

After releasing the control panel, use a pencil or any non-metallic object to press and hold the RESET button for five seconds to reset the main unit. The unit will return to the factory default settings. The reset button should be activated for the following reasons:

- Initial installation of the unit when all wiring is completed
- function buttons do not operate
- error symbol on the display



NOTE: If after pressing the RESET button the unit still does not function normally, use a cotton swab soaked in isopropyl alcohol to clean the socket on the back of the control panel.

Audio Menu

Press the volume control button (4) on the control panel (or the S button on the remote control) to access the Audio Menu. You can navigate through the Audio Menu items by pressing the volume control button repeatedly, or by pressing the up >| (21) or down |<< (20) buttons.

Once the desired menu item appears on the display, adjust that option by turning the volume control knob within 5 seconds. The unit will automatically exit the Audio Menu after five seconds of inactivity. The following menu items can be adjusted.

Volume Level

Use the volume control knob to adjust the Volume level from "00" (lowest) to "100" (highest).

Bass Level

Use the volume control knob to adjust the Bass level range from "-10" to "+10".

Treble Level

Use the volume control knob to adjust the Treble level range from "-10" to "+10".

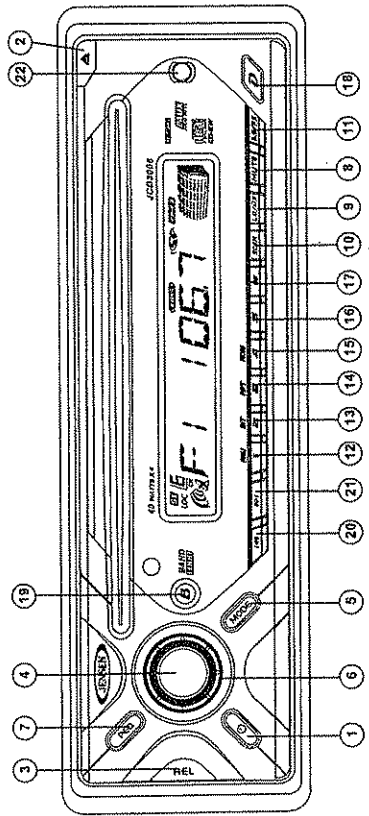
Balance

Use the volume control knob to adjust the Balance between the right and left speakers from "R10" (full right) to "L10" (full left). "C00" represents an equal balance between the right and left speakers.

Fader

Use the volume control knob to adjust the Fader between the front and rear speakers from "R10" (full rear) to "F10" (full front). "C00" represents an equal balance between the front and rear speakers.

TUNER OPERATION



Select a Band

Press the **B** button (19) on the control panel (or the **BND** button on the remote control) to change between three FM bands and one AM band. Each band stores up to six preset stations.

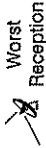
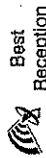
Tuning

Auto Seek Tuning

Press the up >>| (21) or down |<< button (20) on the control panel (or the **U** or **D** buttons on the remote control) for less than three seconds to move to the next station automatically.

Manual Tuning

Press the up >>| (21) or down |<< button (20) for more than three seconds to enter manual tuning mode. Press the up >>| (21) or down |<< button to change the radio frequency number up or down one step. The radio signal strength meter indicates the strength of the current radio station broadcast.



Scan

Press the **SCN** button (10) to automatically search for stations. Each available station will flash on the display for a few seconds before the next is searched. To select a "flashing" station, press the **SCN** button again.

Local/Distant (LO/DX)

During radio operation, received signals are usually in stereo mode as indicated by the "ST" icon; however, when the signals are weak or intermittent, you can activate the Local (LOC) mode by pressing the **LO/DX** button (9) ("LOCAL" appears on the display) on the control panel (or the **LOC** button on the remote control). This mode favors access to local stations whose signals are much stronger, thereby improving radio reception. Press the **LOC** button again to terminate Local receive mode.

Preset Stations

Six numbered preset buttons store and recall stations for each band.

Store a Station

Select a band (if needed), then select a station. Hold a preset button (12-17) for three seconds. The preset number will appear in the display.

Recall a Station

Select a band (if needed). Press a preset button (12-17) to select the corresponding stored station.

Automatically Store / Preset Scan (AS/PS, AMS)

Automatically Store

Select a band (if needed). Press **AS/PS** (11) on the control panel (or the **AMS** button on the remote control) for more than three seconds to automatically select six strong stations and store them in the current band. The new stations replace any stations already stored in that band.

Preset Scan

Select a band (if needed). Press **AS/PS** (11) to scan stations stored in the current band. The unit will pause for ten seconds at each preset station. Press **AS/PS** again to stop scanning when the desired station is reached.

Loudness Control (B, BND)

Press the **B** button (19) on the control panel (or the **BND** button on the remote control) to turn the "Loudness" function on/off. When Loudness is activated, the display will show "X-Bas" for a few seconds.

Preset Equalizer (PEQ)

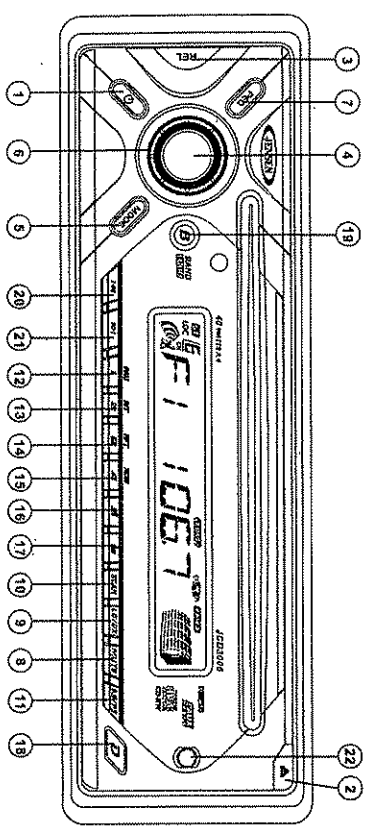
Press the **PEQ** button (7) to select from the following preset equalizer functions: **FLAT** > **CLASSIC** > **POP M** > **ROCK** > **DSP OFF**. When "DSP OFF" is selected, the EQ function is controlled by the Bass/Treble settings.

Stereo

The unit will automatically pick up an FM stereo signal, when available. When in stereo mode, the "ST" icon appears in the display. When no stereo signal is available, the unit will automatically revert to mono operation, and no icon will be displayed. To manually switch between mono and stereo mode, press the **MO** button (23) on the remote control.



CD OPERATION



Insert and Eject Disc

Insert a disc, label-side up, with the unit turned on. "S-CDP" will display on the LCD for about 2 seconds and the unit will play the first track on the disc. Press the eject button (2) to stop disc play and eject the disc. The unit does not have to be turned on to eject the disc.

Controlling Disc Playback

Track Select

Press the up >>| (21) or down |<< button (20) on the control panel (or the U or D buttons on the remote control) for less than one second to advance to the next track on the CD. The selected track number will appear on the display. Press and hold the up >>| (21) or down |<< button (20) for >1 second to fast forward or fast reverse through the disc. CD play starts when the button is released.

Play/Pause Disc Playback (1/PAU)

Press the 1/PAU button (12) to suspend disc play. Press the 1/PAU button again to resume disc play.

Intro Scan (2/INT)

Press the 2/INT button (13) on the control panel (or the 2/ISCN button on the remote control) to play the first 10 seconds of each track sequentially. Press 2/INT again to stop Intro Scan and resume normal play at the current track.

Repeat Play (3/RPT)

Press the 3/RPT button (14) during disc play to repeat play the current track. Press 3/RPT again to stop repeat play

Random Play (4/RDM)

Press the 4/RDM button (15) on the control panel (or the 4/SHUF button on the remote control) during disc play to play all tracks on a CD in random, shuffled order. Press 4/RDM again to stop random play.



SPECIFICATIONS

CD

- Signal to Noise Ratio..... ≥ 70dB
- Sampling Frequency..... 44.1KHz
- Quantization Bits..... 1 bit
- Frequency..... 5-20,000Hz
- Channels..... 2 Channel (Stereo)

FM Radio

- Frequency Range..... 87.5-107.9MHz
- Intermediate Frequency..... 10.7MHz
- Usable Sensitivity..... ≥ 15dB at S/N 30dB
- Stereo Separation..... 25dB at 1KHz
- S/N Ratio..... 50dB

AM/MW

- Frequency Range..... 530-1710KHz
- Intermediate Frequency..... 450KHz
- Usable Sensitivity..... ≥ 45dB
- S/N Ratio..... 40dB

General

- Operating Voltage..... DC 11 -14.4
- Grounding System..... Negative Ground
- Speaker Impedance..... 4 ohms
- Power Output..... 40W x 4

TROUBLESHOOTING

| Symptom | Cause | Solution |
|---|---|--|
| No power | The vehicle's ignition is not on | If the power supply is properly connected to the vehicle accessory terminal, switch the ignition key to "ACC". |
| | The fuse is blown | Replace the fuse. |
| Disc cannot be loaded or ejected | Presence of CD disc inside the player | Remove the disc in the player and insert the new one. |
| | Inserting the disc in reverse direction | Insert the compact disc with the label facing upward. |
| | Compact disc is extremely dirty or disc is defective | Clean the disc or try to play a new one. |
| | Temperature inside the vehicle is too high | Wait until the ambient temperature returns to normal. |
| | Condensation | Leave the player off for an hour or so, then try again. |
| No sound | Volume is too low | Adjust volume to audible level. |
| | Wiring is not properly connected. | Check wiring connections. |
| The operation keys do not work | Control panel not properly installed | Reinstall control panel. |
| | The built-in microcomputer is not operating properly due to noise | Press the RESET button. |
| Sound skips | The installation angle is more than 30 degrees. | Adjust the installation angle to less than 30 degrees. |
| | The disc is dirty or defective. | Clean the disc and try to play again or use new disc. |
| Cannot tune to radio station, auto-seek does not work | The antenna cable is not connected. | Insert the antenna cable firmly. |
| ERROR 1 | The signals are too weak. | Select a station manually. |
| | Mechanism Error | Press the eject button to correct the problem. If the error code does not disappear, consult your nearest service dealer. |
| ERROR 2 | Servo Error | Press the eject button to correct the problem. If the error code does not disappear, consult your nearest service dealer. |



ASA
The Audio Electronics Company
AUDIOVOX SPECIALIZED APPLICATIONS, LLC

ASA Electronics Corporation

www.asaelectronics.com

© 2006 ASA Electronics Corporation

V-071206